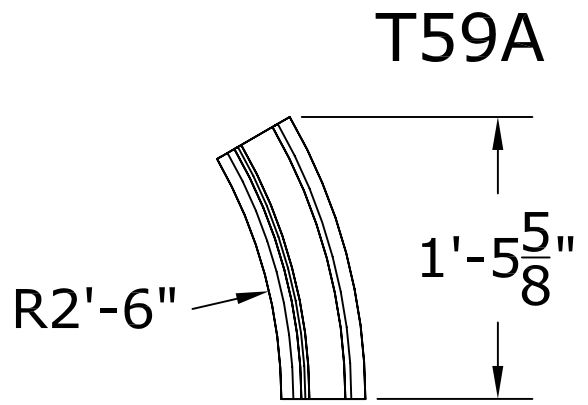
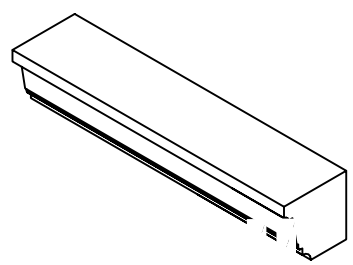
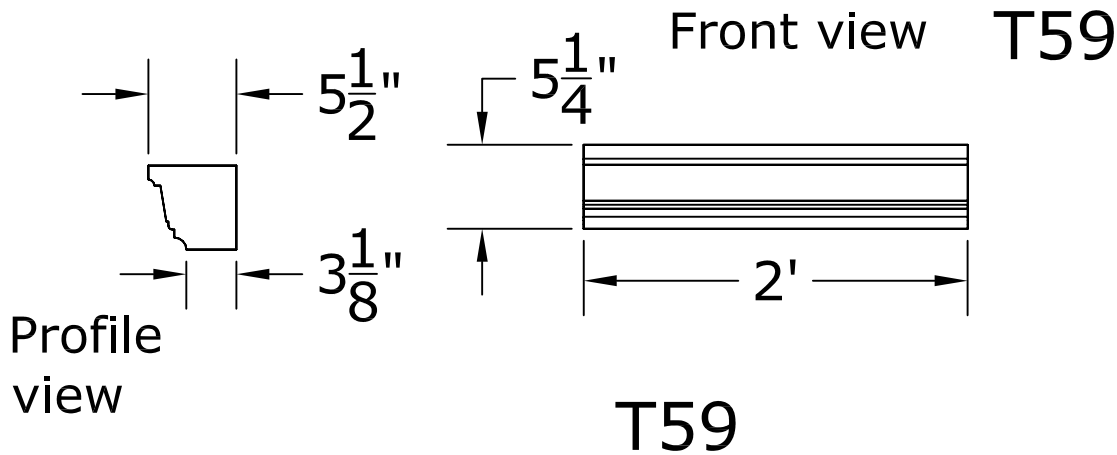
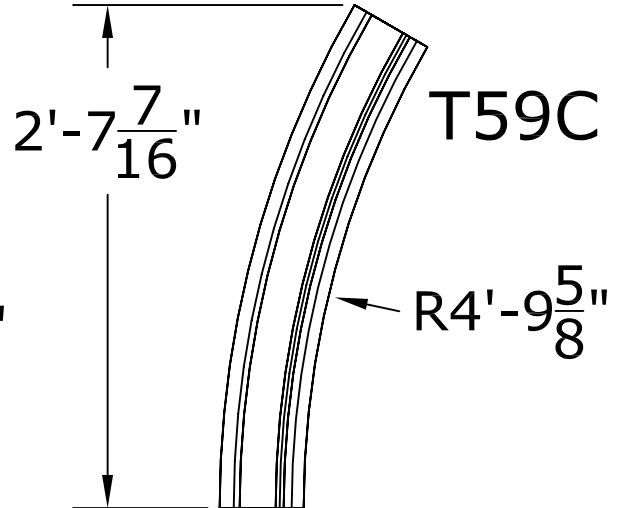
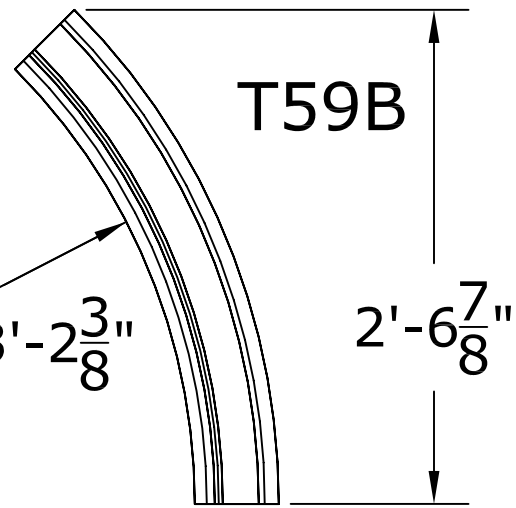


# T59 BRICKLINE RADIUS TRIM VARIATIONS



All pieces are:

- $5\frac{1}{4}''$  H
- $5\frac{1}{2}''$  D
- varies L



All pieces shown have same profile.

