

MILESTONE

ARCHITECTURAL ORNAMENTATION

Your Home, Our Stone,
A Lifetime Partnership



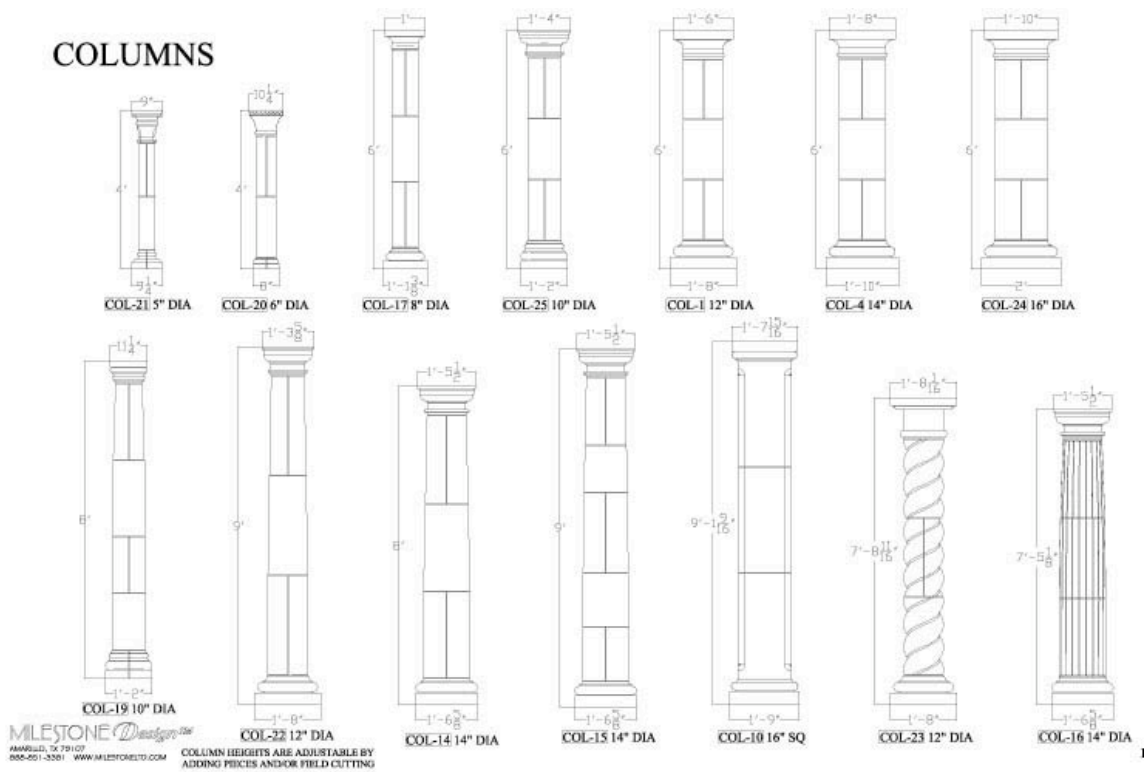
Catalog 2004

Columns

COLUMNS

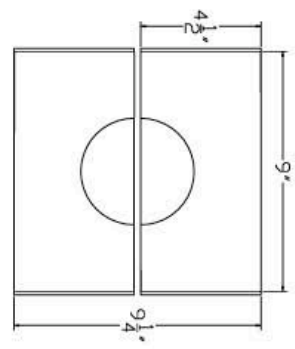


Please click on individual columns or use Bookmarks (on left) to navigate directly to individual column drawings.

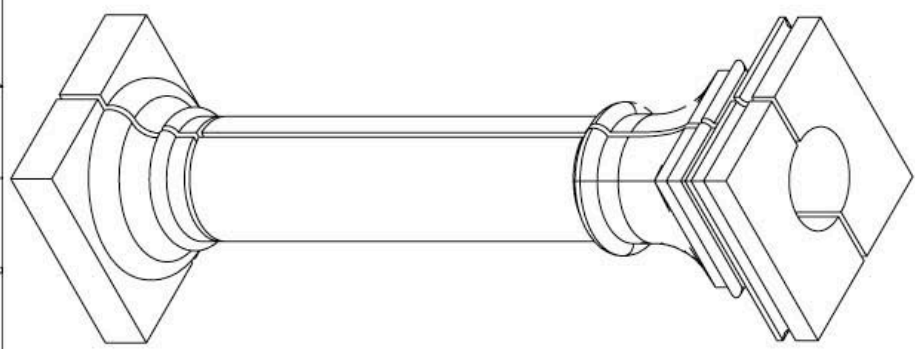
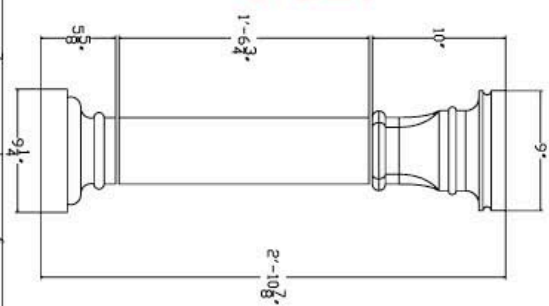


THE INFORMATION CONTAINED IN THIS DRAWING IS THE SOLE PROPERTY OF MILESTONE. ANY REPRODUCTION IN PART OR WHOLE WITHOUT THE WRITTEN PERMISSION OF MILESTONE IS PROHIBITED.

TOP VIEW
SCALE 1/4" = 1"



FRONT VIEW
SCALE 1/8" = 1"



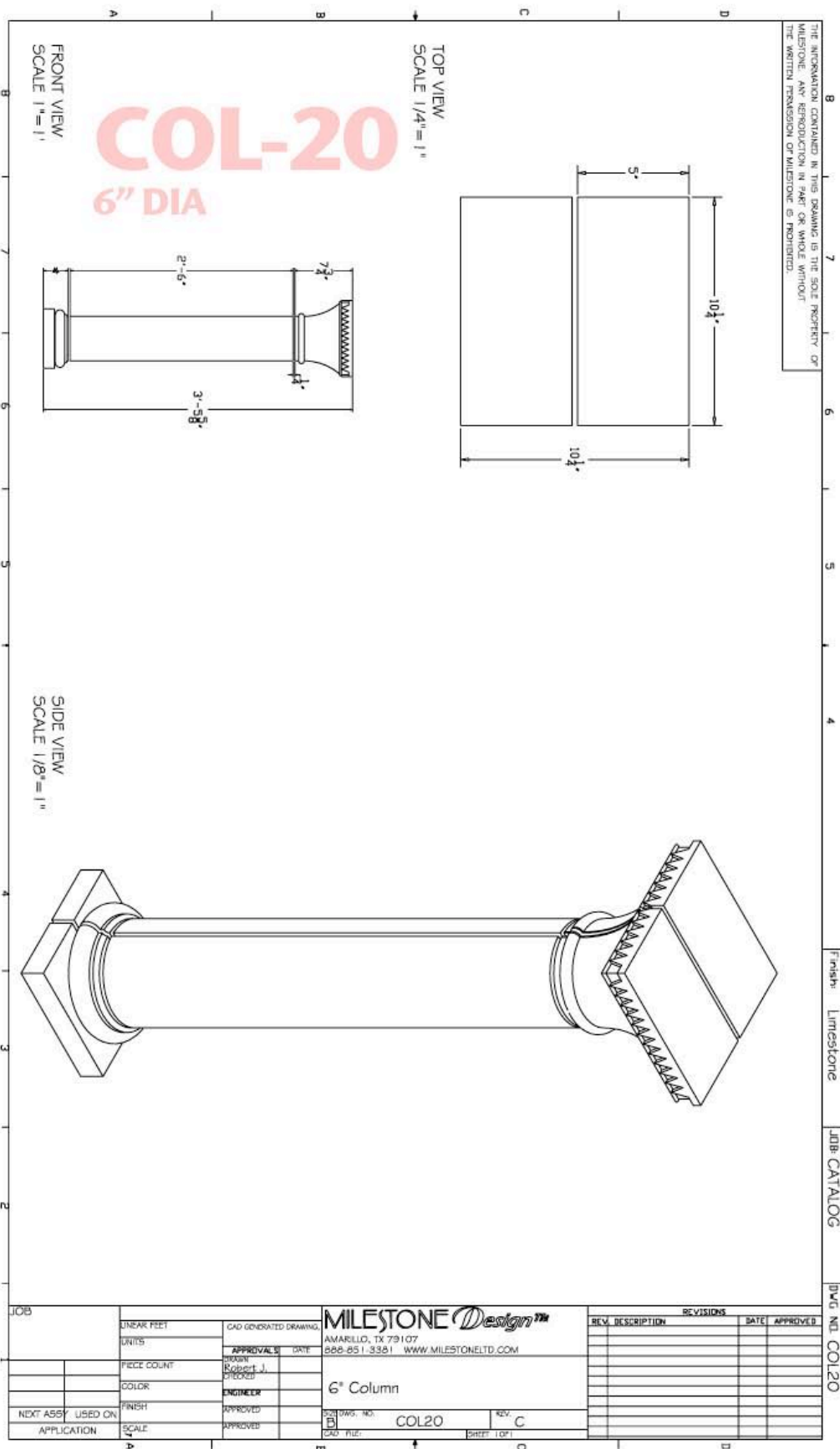
COL-21

5" DIA

Finish: Limestone | Job: Catalog | DWG NO: COL21

| JOB | | CAD GENERATED DRAWING | | MILESTONE <i>Design™</i> | | REVISIONS | |
|-------------------|--------|-----------------------|------|------------------------------------|------------------|-----------|----------|
| LINEAR FEET | UNITS | APPROVALS | DATE | AMARILLO, TX 79107 | REV. DESCRIPTION | DATE | APPROVED |
| FACE COUNT | COLOR | WORKER | | 888-851-3381 WWW.MILESTONE.LTD.COM | | | |
| NDXT ASSY USED ON | FINISH | ENGINEER | | 5" DIA. Column | | | |
| APPLICATION | SCALE | APPROVED | | COL21 | | | |
| | | APPROVER | | | | | |

THE INFORMATION CONTAINED IN THIS DRAWING IS THE SOLE PROPERTY OF MILESTONE. ANY REPRODUCTION IN PART OR WHOLE WITHOUT THE WRITTEN PERMISSION OF MILESTONE IS PROHIBITED.



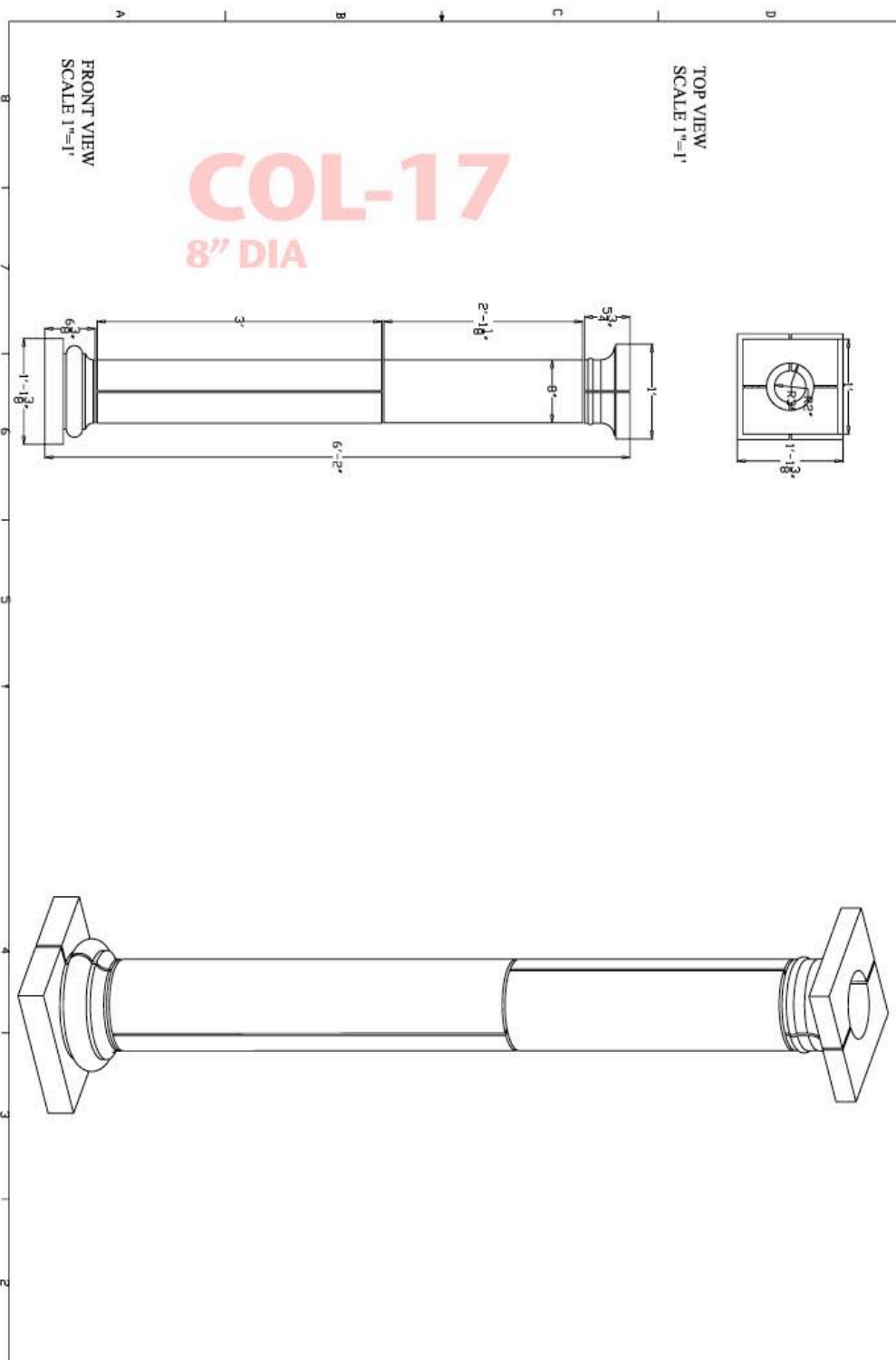
| JOB | | CAD GENERATED DRAWING | | MILESTONE <i>Design™</i> | | REVISIONS | |
|-------------|---------|-----------------------|--------------|--------------------------|------------------|-----------|----------|
| LINEAR FEET | UNITS | AMARILLO, TX 79107 | 888-851-3381 | WWW.MILESTONE.LTD.COM | REV. DESCRIPTION | DATE | APPROVED |
| PIECE COUNT | COLOR | APPROVALS | DATE | WORKSHEET | | | |
| FINISH | SCALE | APPROVED | | ENGINEER | | | |
| NEXT ASSY | USED ON | APPROVED | | COL20 | | | |
| APPLICATION | | APPROVED | | REV. C | | | |
| | | | | CAD FILE: | SHEET | 1 OF 1 | |

MODEL FINISH DATE: INITIAL: MOLD FINISH DATE: INITIAL:
 THE INFORMATION CONTAINED IN THIS DRAWING IS THE SOLE PROPERTY OF MILESTONE. ANY REPRODUCTION IN PART OR WHOLE WITHOUT THE WRITTEN PERMISSION OF MILESTONE IS PROHIBITED.

WEIGHT: 87.85 CU. FT. 1.32

JOB: CATALOG

DWG. NO. COL-17



COL-17

8" DIA

TOP VIEW
SCALE 1"=1'

FRONT VIEW
SCALE 1"=1'

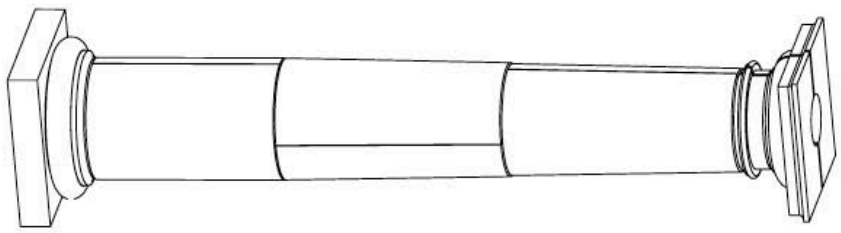
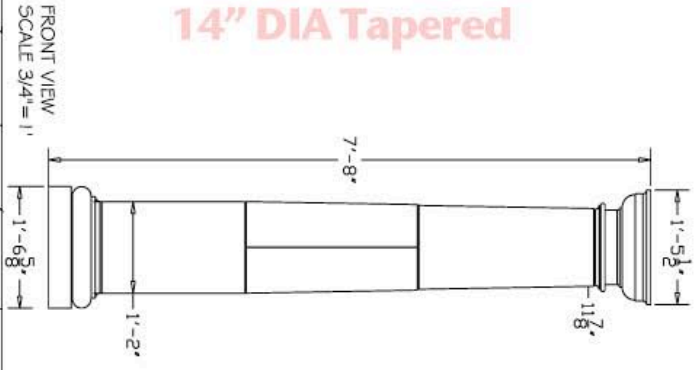
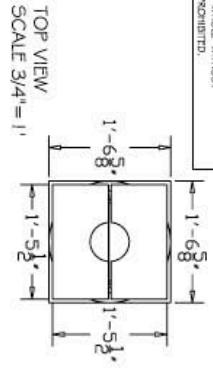
| JOB | | CAD GENERATED DRAWING | | MILESTONE <i>Design</i> 72* | | REVISIONS | |
|-------------|--|-----------------------------------|--------|-----------------------------|-------------|-----------|----------|
| LINEAR FEET | | AMARILLO, TX 79107 | | REV. | DESCRIPTION | DATE | APPROVED |
| UNITS | | 888-851-5381 WWW.MILESTONE1TD.COM | | | | | |
| PIECE COUNT | | APPROVALS | DATE | | | | |
| COLOR | | DRAWN | | | | | |
| FINISH | | CHECKED | 3/8/02 | | | | |
| SCALE | | ENGINEER | | | | | |
| | | APPROVED | | SIZE | DRAW. NO. | REV. | |
| | | APPROVED | | B | COL-17 | | |
| | | | | CAD FILE | | | |

Milestone hereby disclaims all liability for, and is not responsible or liable for, any damages or costs that may result from improper installation or use of its products.

THE INFORMATION CONTAINED IN THIS DRAWING IS THE SOLE PROPERTY OF MILESTONE. ANY REPRODUCTION IN PART OR WHOLE WITHOUT THE WRITTEN PERMISSION OF MILESTONE IS PROHIBITED.

COL-14

14" DIA Tapered



JOB: CATALOG | DWG. NO.: C-14

| | | | | | |
|-----|-------------|-----------------------------|---|------------------|------|
| JOB | LINEAR FEET | CAD GENERATED DRAWING | MILESTONE <i>Design</i> 72k AMARILLO, TX 79107 806-851-3361 WWW.MILESTONE.LTD.COM | REVISIONS | |
| | UNITS | APPROVALS DATE | | REV. DESCRIPTION | DATE |
| | PIECE COUNT | DESIGNER Robert J. FROST | TAPERED COLUMN SIZE: 14" DIA C-14 CAD FILE: | | |
| | COLOR | ENGINEER | | | |
| | FINISH | APPROVED | DATE: 11/18/11 | | |
| | SCALE | APPROVED | REV: C | | |
| | USED ON | | | | |
| | APPLICATION | | | | |

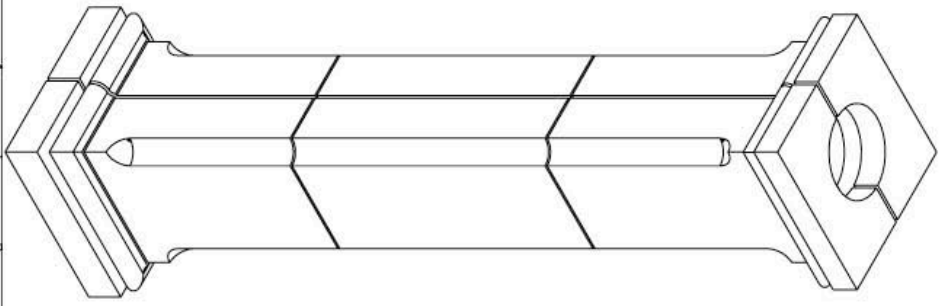
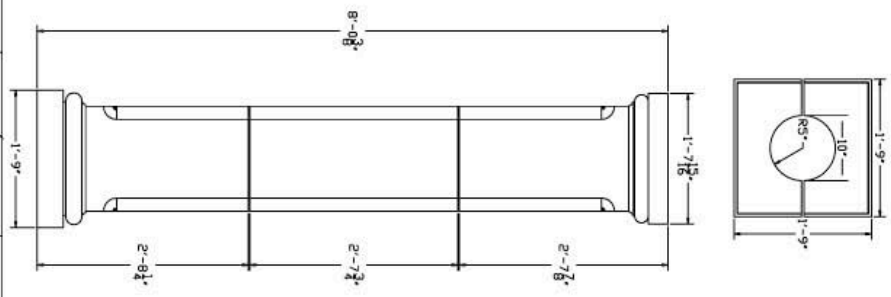
THE INFORMATION CONTAINED IN THIS DRAWING IS THE SOLE PROPERTY OF MILESTONE. ANY REPRODUCTION IN PART OR WHOLE WITHOUT THE WRITTEN PERMISSION OF MILESTONE IS PROHIBITED.

COL-10

16" SQUARE

TOP VIEW
SCALE 3/4"=1'

FRONT VIEW
SCALE 3/4"=1'



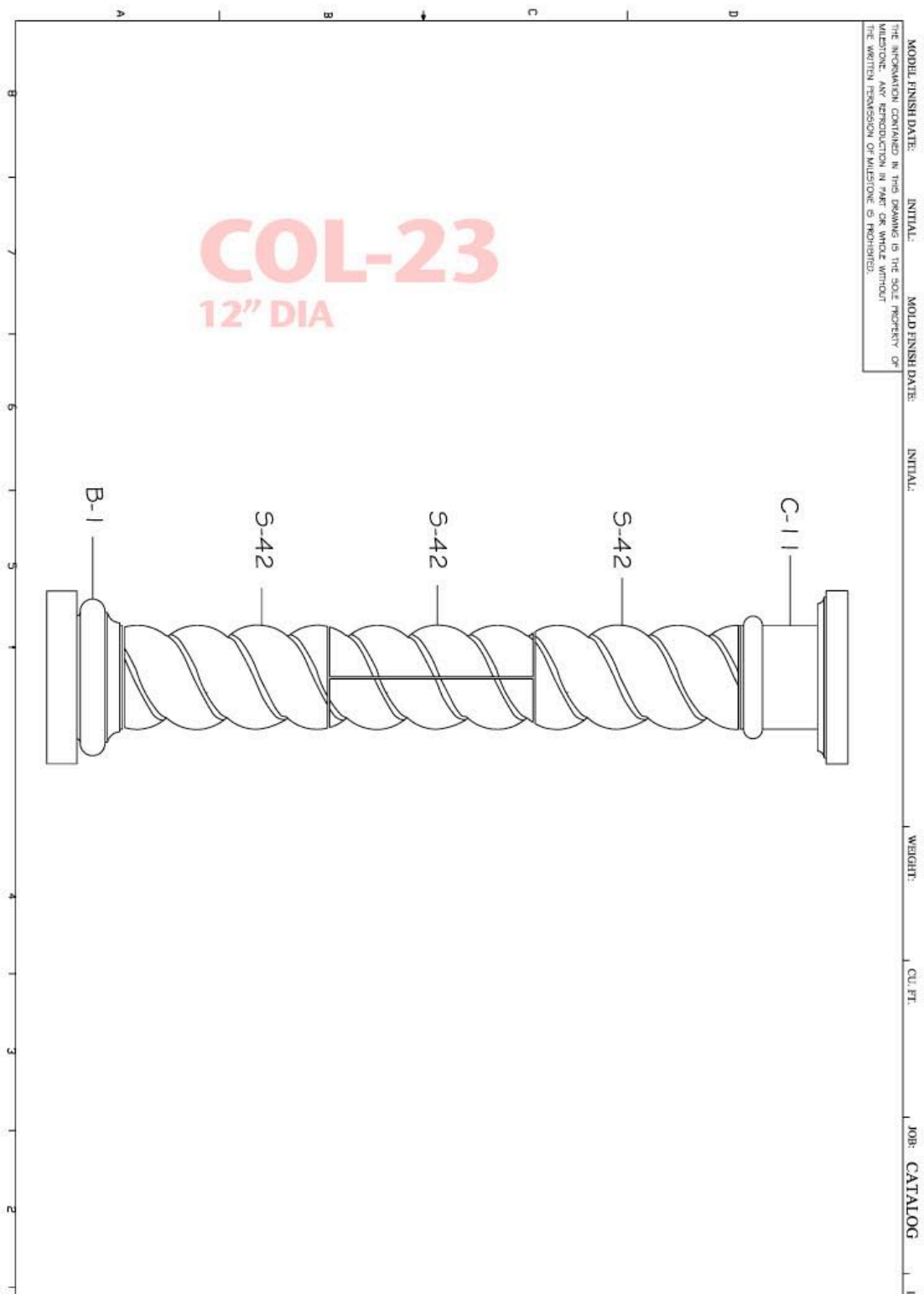
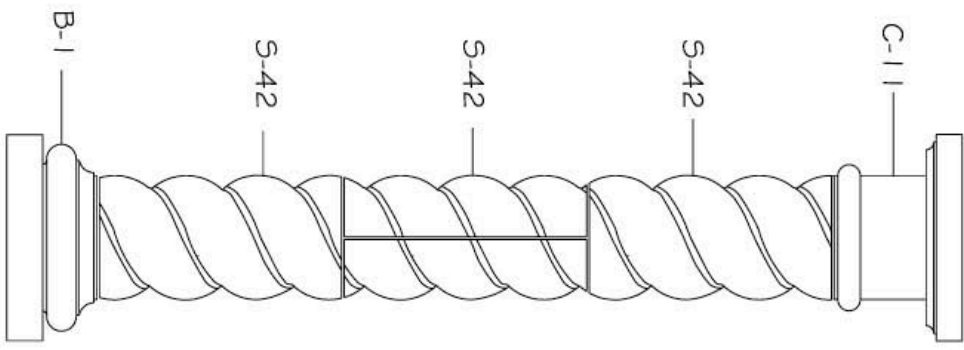
WEIGHT 647 lbs. CU FT 9.86 JOB CATALOG DWG NO. COL-10

| JOB | | CAD GENERATED DRAWING | | MILESTONE <i>Design 72</i> | | REVISIONS | |
|-------------|-------|-----------------------|--------|----------------------------|------------------|-----------|----------|
| LINEAR FEET | UNITS | APPROVALS | DATE | AMARILLO, TX 79107 | REV. DESCRIPTION | DATE | APPROVED |
| PIECE COUNT | | Robert J. FROST | 8/4/03 | 888-851-3361 | | | |
| COLOR | | ENGINEER | | WWW.MILESTONE.LTD.COM | | | |
| FINISH | | APPROVED | | SQUARE COLUMN | | | |
| SCALE | | APPROVED | | COL-10 | | | |
| APPLICATION | | | | REV. | | | |
| | | | | CAD PACKAGE | | | |
| | | | | SHEET 1 OF 1 | | | |

MODEL FINISH DATE: INITIAL: MOLD FINISH DATE: INITIAL:
 THE INFORMATION CONTAINED IN THIS DRAWING IS THE SOLE PROPERTY OF MILESTONE. ANY REPRODUCTION IN PART OR WHOLE WITHOUT THE WRITTEN PERMISSION OF MILESTONE IS PROHIBITED.

COL-23

12" DIA



| | | | | | | | | | |
|-------------|--|-----------------------|---------|---|-------------|------------|--|------|----------|
| JOB | | CAD GENERATED DRAWING | | MILESTONE Design™ AMARILLO, TX 79107 888-851-3381 WWW.MILESTONELTD.COM | | REVISIONS | | DATE | APPROVED |
| LINEAR FEET | | APPROVALS | DATE | REV | DESCRIPTION | | | | |
| UNITS | | DESIGNED | | | | | | | |
| PIECE COUNT | | CHECKED | 2-26-03 | | | | | | |
| COLOR | | ENGINEER | | | | | | | |
| FINISH | | APPROVED | | | | | | | |
| SCALE | | APPROVED | | SIZE | DWG. NO. | REV. | | | |
| | | | | B | COL-23 | C | | | |
| | | | | CAD FILE: | | SHEET 1001 | | | |

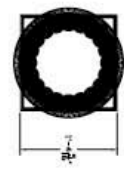
THE INFORMATION CONTAINED IN THIS DRAWING IS THE SOLE PROPERTY OF MILESTONE. ANY REPRODUCTION IN PART OR WHOLE WITHOUT THE WRITTEN PERMISSION OF MILESTONE IS PROHIBITED.

COLUMNS CAN USE DIFFERENT SHAFTS FOR VARIED HEIGHTS.

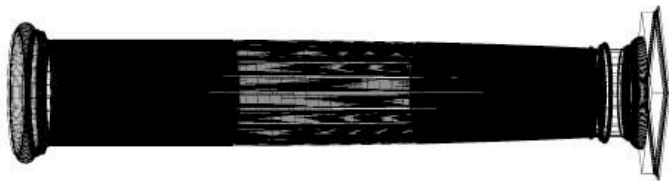
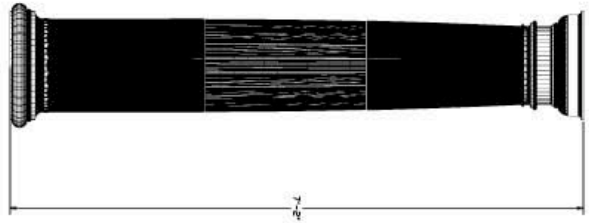
COL-16

14" DIA

TOP VIEW
SCALE 3/4" = 1'



FRONT VIEW
SCALE 3/4" = 1'



WEIGHT

CU FT

JOB CATALOG

DWG NO. COL-16

| | | | | | | | |
|-------------------|-------|-----------------------|------|-----------------------------------|------------------|-----------|----------|
| JOB | | CAD GENERATED DRAWING | | MILESTONE <i>Design™</i> | | REVISIONS | |
| LINEAR FEET | UNITS | APPROVALS | DATE | AMARILLO, TX 79107 | REV. DESCRIPTION | DATE | APPROVED |
| | | DESIGNER | | 888-851-3361 WWW.MILESTONELTD.COM | | | |
| PIECE COUNT | | CHECKED | | | | | |
| COLOR | | ENGINEER | | DORIC COLUMN | | | |
| FINISH | | APPROVED | | DATE: MAR 16 | REV. C | | |
| NEXT ASSY USED ON | | APPROVER | | CAD FILE: Col-16 | | | |
| APPLICATION | | | | | | | |