



MILESTONE

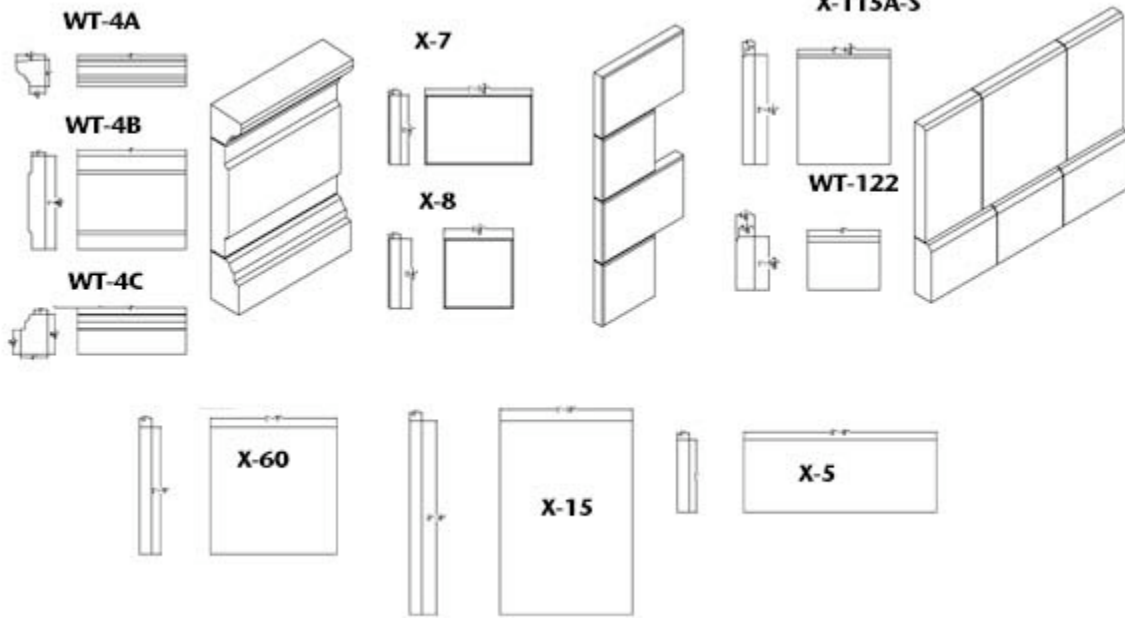
ARCHITECTURAL ORNAMENTATION

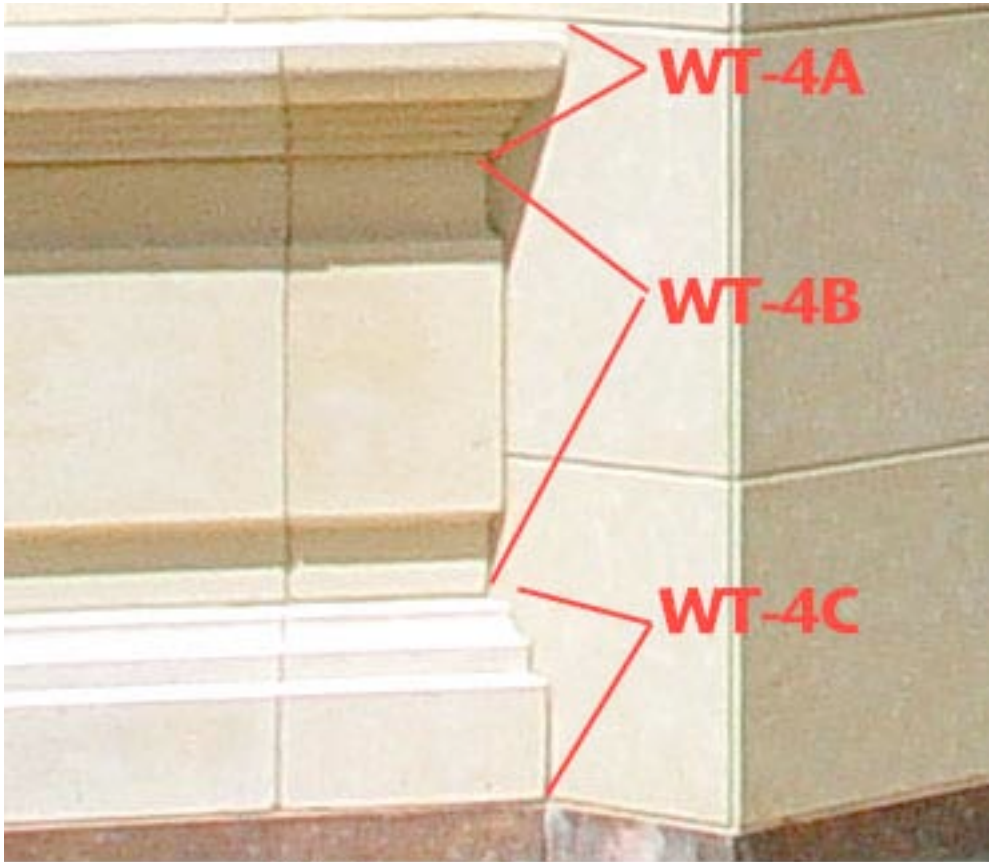
Your Home, Our Stone,
A Lifetime Partnership

Catalog 2004

Quoins, Panels, and Watertables

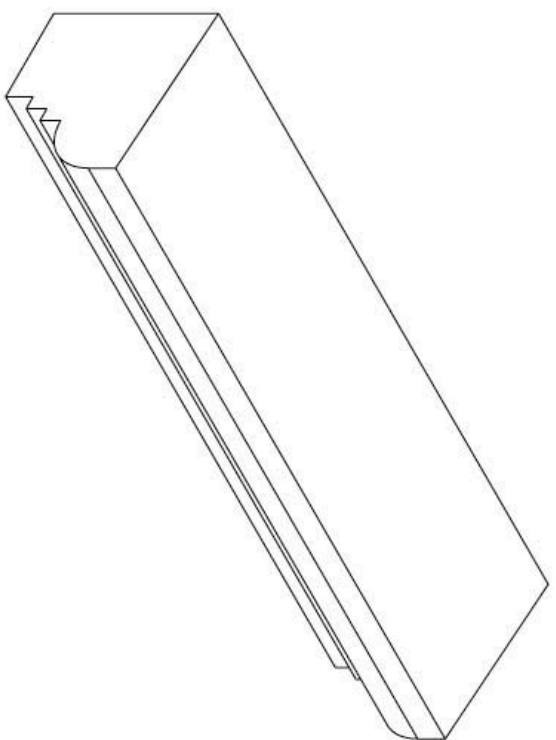
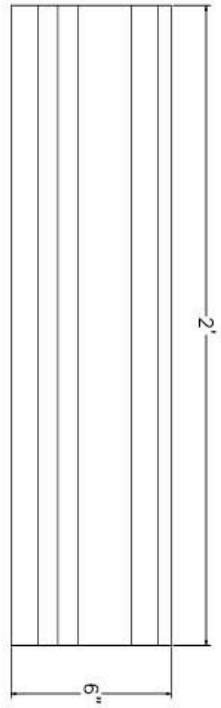
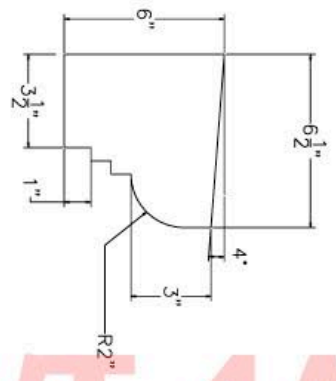
QUOINS, PANELS AND WATERTABLES





Watertables

THE INFORMATION CONTAINED IN THIS DRAWING IS THE SOLE PROPERTY OF MILESTONE. ANY REPRODUCTION IN PART OR WHOLE WITHOUT THE WRITTEN PERMISSION OF MILESTONE IS PROHIBITED.



WT-4A

WEIGHT: 27LBS

CU. FT. .42

JOB: ABBEY

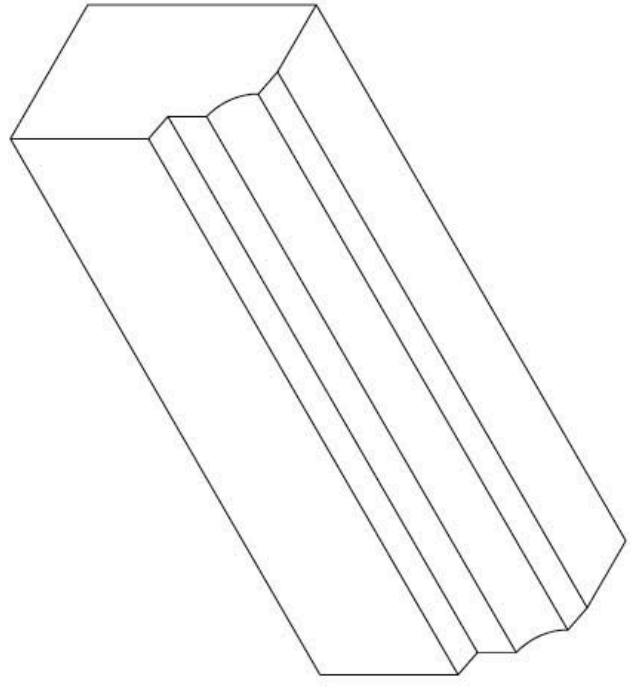
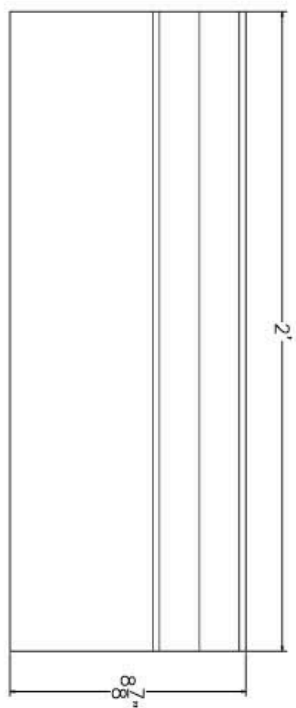
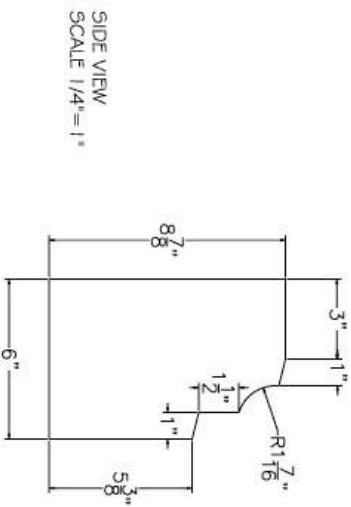
DWG NO. WT-4a

JOB		CAD GENERATED DRAWING		MILESTONE Design™		REVISIONS	
LINEAR FEET	UNITS	APPROVALS	DATE	REV.	DESCRIPTION	DATE	APPROVED
		DESIGN	5-7-02				
		ENGINEER					
		APPROVED					
		APPROVER					
NEXT ASSY USED ON APPLICATION		SCALE		MILESTONE Design™ AMARILLO, TX 79107 800-851-3361 WWW.MILESTONE.LTD.COM WATERTABLE library, foyer, stair tower WT-4a DWG NO. WT-4a SHEET 1 OF 1			

THE INFORMATION CONTAINED IN THIS DRAWING IS THE SOLE PROPERTY OF MILESTONE. ANY REPRODUCTION IN PART OR WHOLE WITHOUT THE WRITTEN PERMISSION OF MILESTONE IS PROHIBITED.

WEIGHT: 43LBS | CU. FT. .67 | JOB: ABBEY | DWG NO. WT-4c

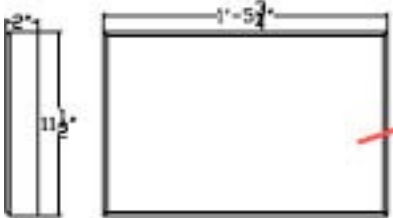
WT-4C



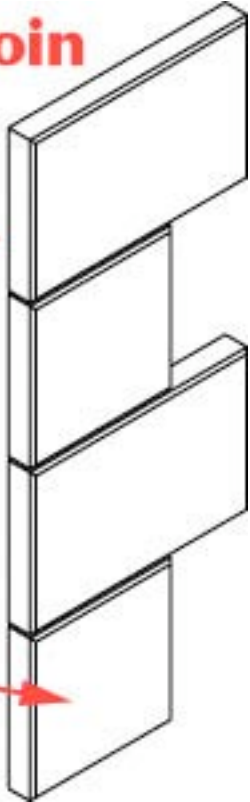
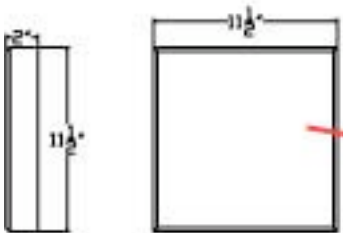
JOB		CAD GENERATED DRAWING		MILESTONE Design™		REVISIONS	
LINEAR FEET	UNITS	APPROVALS	DATE	REV.	DESCRIPTION	DATE	APPROVED
		Robert J.	5-7-02				
FACE COUNT	54	ENGINEER			WATERTABLE library, foyer, stair tower		
COLOR		APPROVED					
FINISH		APPROVED					
SCALE		APPROVED					
NEXT ASSY	USED ON						
APPLICATION							

Quoin

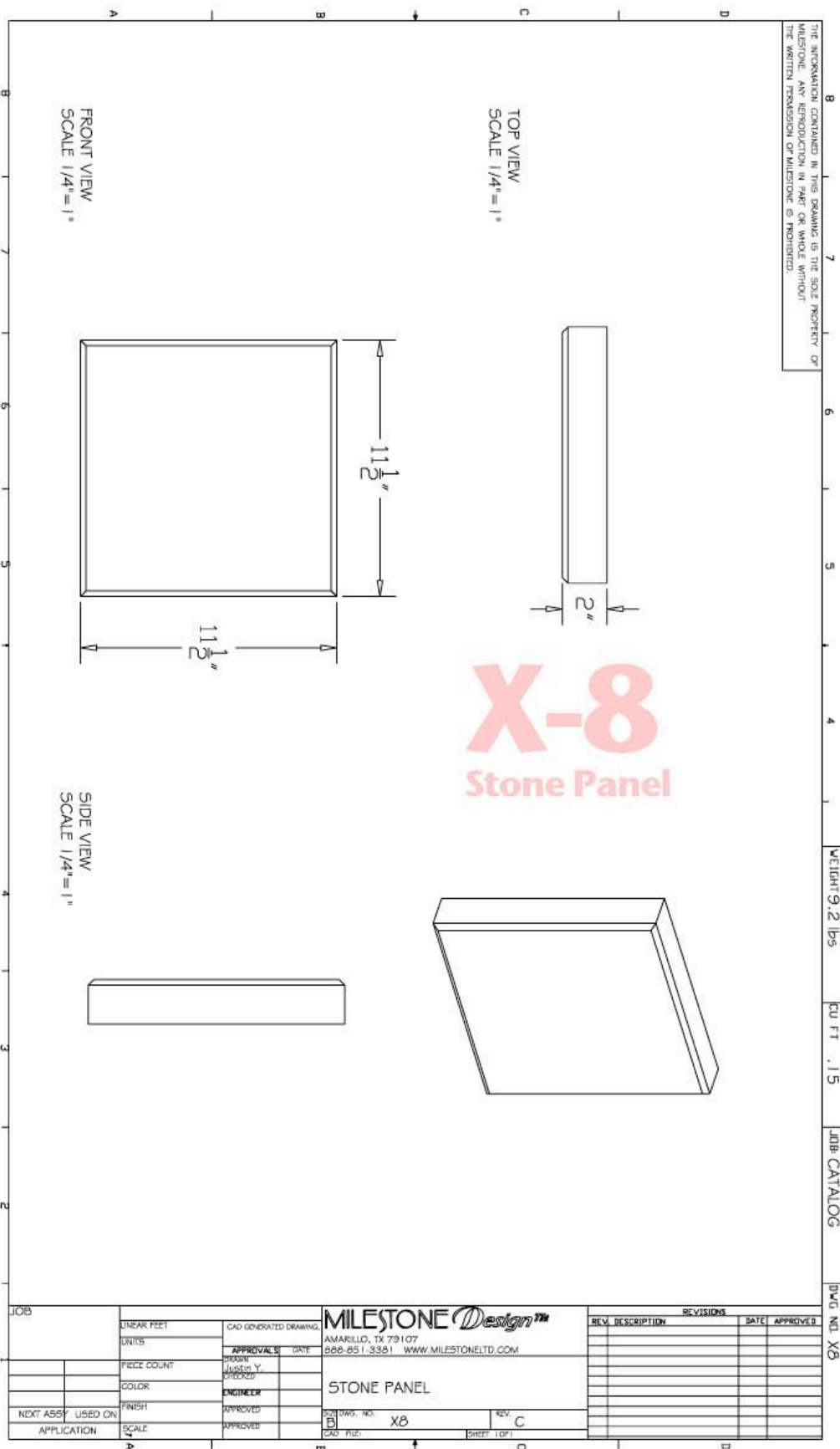
X-7 SCALE: 1"=1'



X-8



THE INFORMATION CONTAINED IN THIS DRAWING IS THE SOLE PROPERTY OF MILESTONE. ANY REPRODUCTION IN PART OR WHOLE WITHOUT THE WRITTEN PERMISSION OF MILESTONE IS PROHIBITED.



WEIGHT 9.2 lbs | CU FT .15 | JOB CATALOG | DWG NO. X8

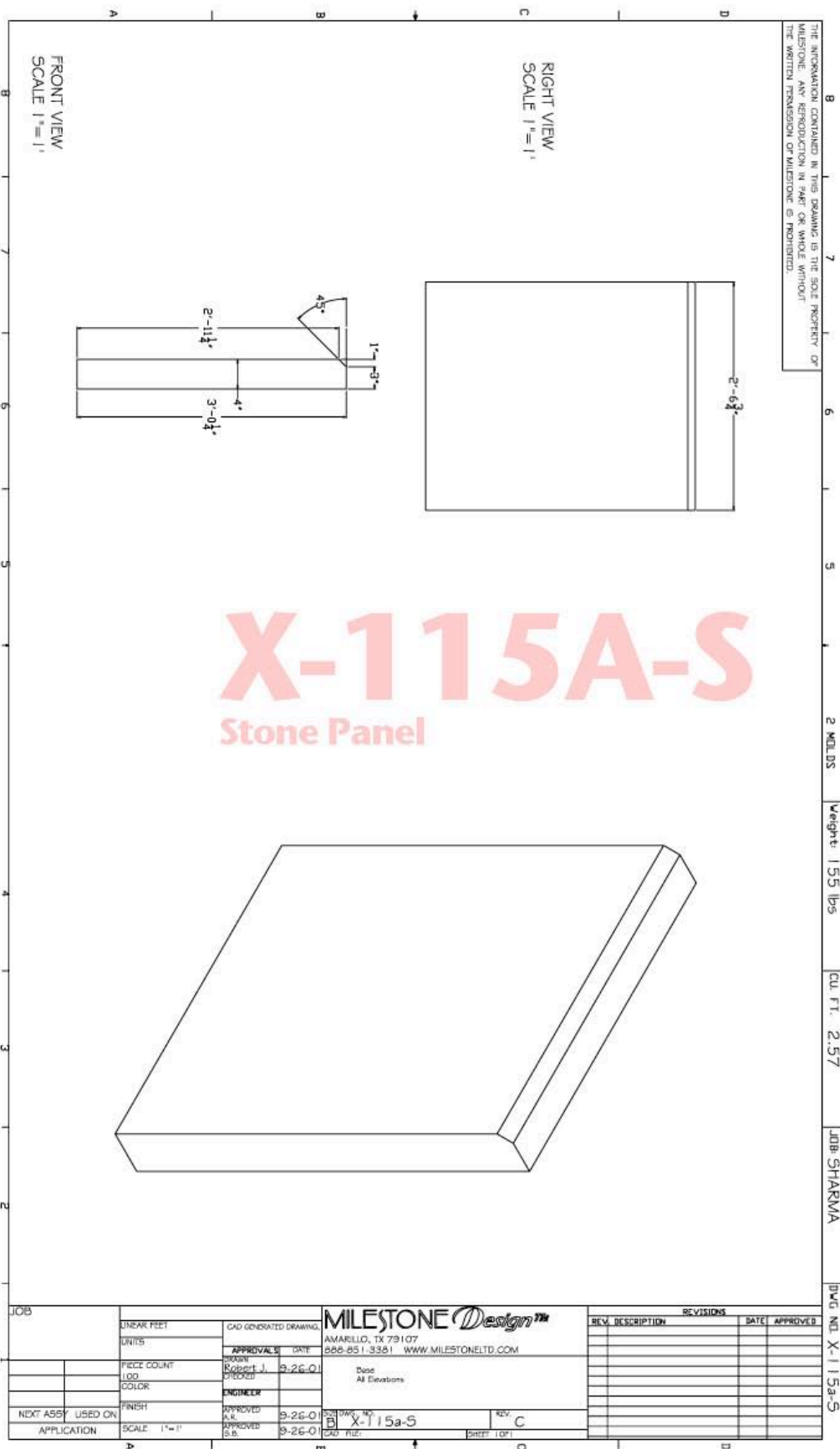
JOB		CAD GENERATED DRAWING		MILESTONE <i>Design™</i>		REVISIONS	
LINEAR FEET	UNITS	APPROVALS	DATE	AMARILLO, TX 79107	REV. DESCRIPTION	DATE	APPROVED
PIECE COUNT	COLOR	WORKER	CHECKED	888-851-3361 WWW.MILESTONE.LTD.COM			
FINISH	SCALE	ENGINEER	APPROVED	STONE PANEL			
NEXT ASSY USED ON	APPLICATION	SCALE	APPROVED	SIZE: 1/4" = 1"	REV. C		
				CAD FILE: X8			
				SHEET 1 OF 1			



X-115A-S

WT-122

THE INFORMATION CONTAINED IN THIS DRAWING IS THE SOLE PROPERTY OF MILESTONE. ANY REPRODUCTION IN PART OR WHOLE WITHOUT THE WRITTEN PERMISSION OF MILESTONE IS PROHIBITED.



X-115A-S

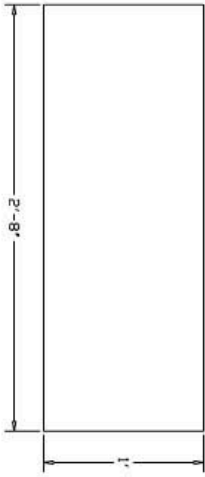
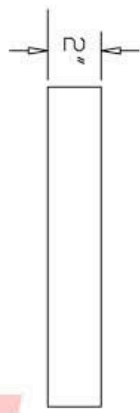
Stone Panel

2 MIL DS | Weight: 155 lbs | CU. FT. 2.57 | JOB: SHARMA | DWG NO: X-115a-S

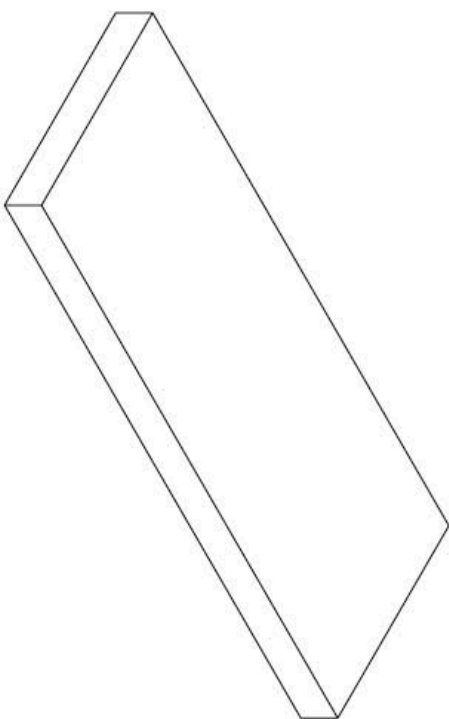
JOB		CAD GENERATED DRAWING		MILESTONE <i>Design™</i>		REVISIONS	
LINEAR FEET	UNITS	APPROVALS	DATE	REV. DESCRIPTION	DATE	APPROVED	
		Robert J.	9-26-0				
FACE COUNT		ENGINEER					
LOG		APPROVED	9-26-0				
COLOR		APPROVER	9-26-0				
FINISH		S.B.					
NEXT ASSY USED ON		SCALE	1" = 1'	PAN. NO.	X-115a-S	REV.	C
APPLICATION		CAD FILE:		SHEET	1 OF 1		

MODEL FINISH DATE: INITIAL: MOLD FINISH DATE: INITIAL:
 THE INFORMATION CONTAINED IN THIS DRAWING IS THE SOLE PROPERTY OF MILESTONE. ANY REPRODUCTION IN PART OR WHOLE WITHOUT THE WRITTEN PERMISSION OF MILESTONE IS PROHIBITED.

WEIGHT: 28 CU. FT. .44 JOB: CATALOG DWG NO. X-5



X-5
Stone Panel



JOB		CAD GENERATED DRAWING		MILESTONE <i>Design™</i>		REVISIONS	
LINEAR FEET	UNITS	APPROVALS	DATE	REV.	DESCRIPTION	DATE	APPROVED
		DESIGNED BY	3/8/02				
PIECE COUNT		CHECKED BY					
COLOR		ENGINEER					
FINISH		APPROVED					
SCALE		APPROVED					
		AMARILLO, TX 79107 888-851-3381 WWW.MILESTONELTD.COM		PANEL			
		SIZE DWG NO. X-5		REV. C			
		CAD FILE:		SHEET 100			