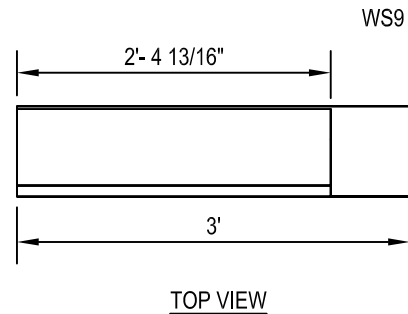
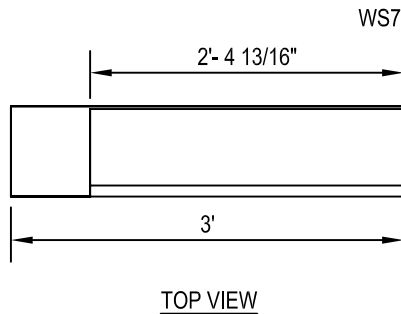
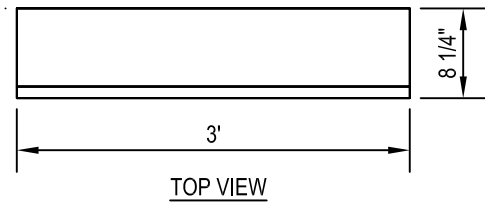
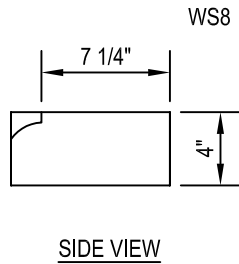
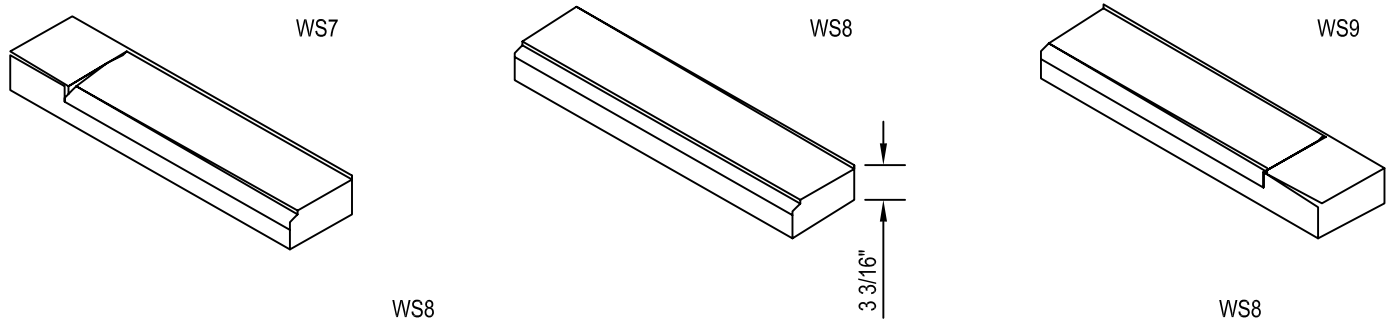
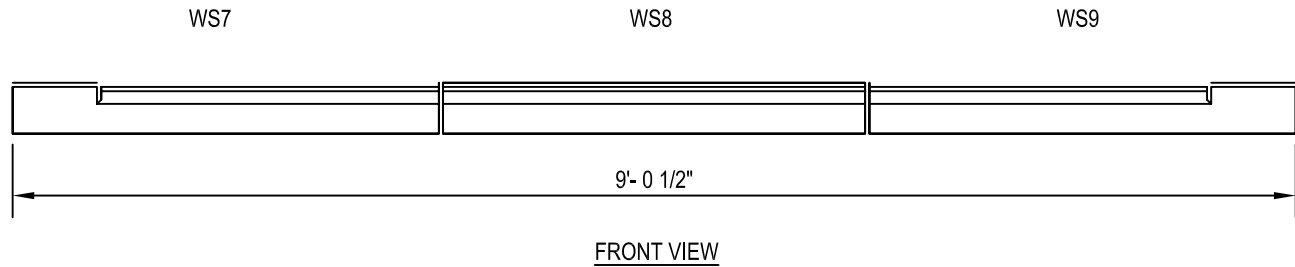


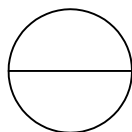
# MILESTONE

MILESTONE ARCHITECTURAL ORNAMENTATION, INC.  
 4225 NE 9TH AVENUE  
 AMARILLO, TEXAS 79107  
 TOLL FREE: 1-888-851-3381  
 PHONE: (806) 381-4030  
 FAX: (806) 381-6996  
 www.milestoneltd.com



**NOTES:**

1. INSTALLATION TO BE COMPLETED IN ACCORDANCE WITH MANUFACTURERS SPECIFICATIONS.
2. DO NOT SCALE DRAWINGS.
3. CONTRACTORS NOTE: FOR PROJECT AND PURCHASING INFORMATION VISIT [www.CADdetails.com/info](http://www.CADdetails.com/info) REFERENCE NUMBER 419-207.



## TRIM VARIATIONS

MODEL WS7, WS8, WS9 - WINDOW SILLS