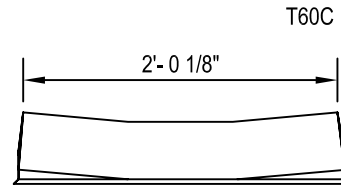
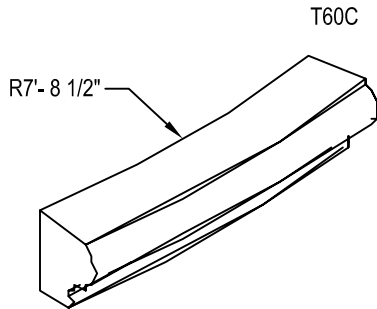
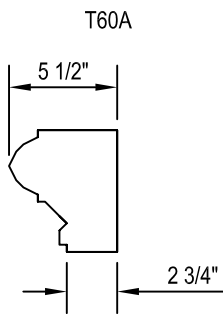


MILESTONE

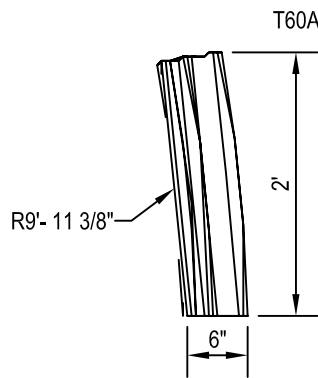
MILESTONE ARCHITECTURAL ORNAMENTATION, INC.
 4225 NE 9TH AVENUE
 AMARILLO, TEXAS 79107
 TOLL FREE: 1-888-851-3381
 PHONE: (806) 381-4030
 FAX: (806) 381-6996
 www.milestoneltd.com



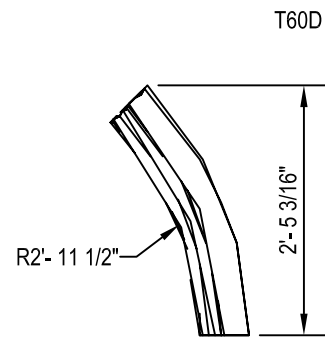
TOP VIEW



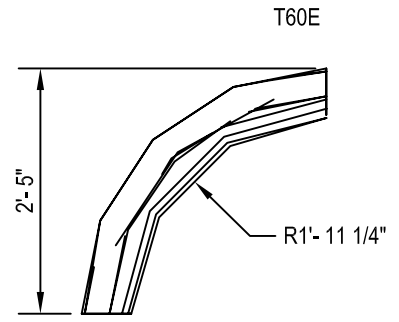
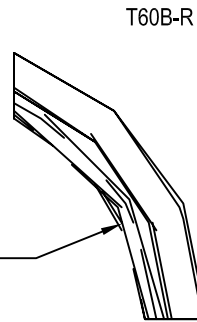
SIDE VIEW



FRONT VIEW

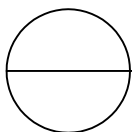


NOTE: ALL PIECES ARE
 6" H
 5 1/2" D
 VARIES L



NOTES:

1. INSTALLATION TO BE COMPLETED IN ACCORDANCE WITH MANUFACTURERS SPECIFICATIONS.
2. DO NOT SCALE DRAWINGS.
3. CONTRACTORS NOTE: FOR PROJECT AND PURCHASING INFORMATION VISIT www.CADdetails.com/info REFERENCE NUMBER 419-205.



TRIM VARIATIONS (RADIUS)

MODEL T-60 - BRICKLINE