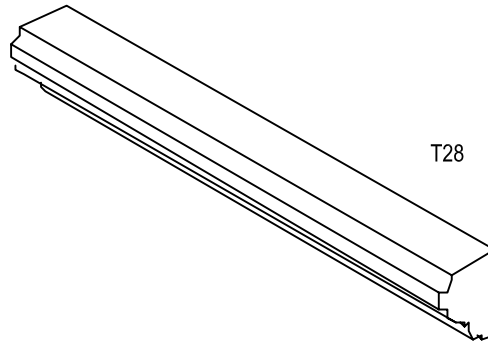
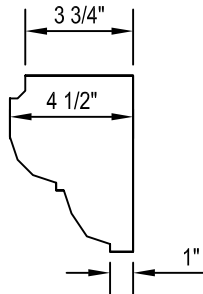


MILESTONE

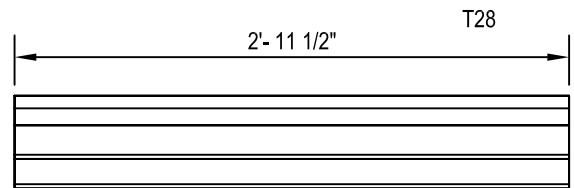
MILESTONE ARCHITECTURAL ORNAMENTATION, INC.
 4225 NE 9TH AVENUE
 AMARILLO, TEXAS 79107
 TOLL FREE: 1-888-851-3381
 PHONE: (806) 381-4030
 FAX: (806) 381-6996
 www.milestoneltd.com



T28



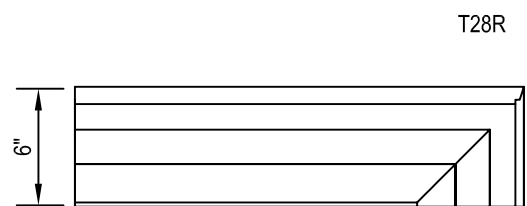
SIDE VIEW



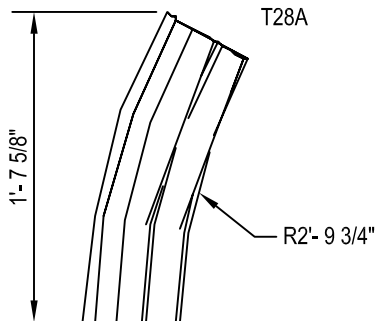
FRONT VIEW



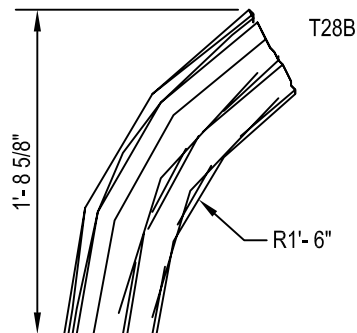
T28L



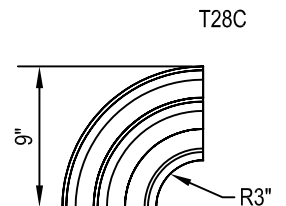
T28R



T28A



T28B

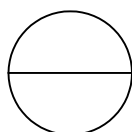


T28C

NOTE: ALL PIECES ARE
 6" H
 4 1/2" D
 VARIES L

NOTES:

1. INSTALLATION TO BE COMPLETED IN ACCORDANCE WITH MANUFACTURERS SPECIFICATIONS.
2. DO NOT SCALE DRAWINGS.
3. ALL PIECES SHOWN HAVE 1 MOLD, AND SAME PROFILE T28 HAS 2 MOLDS.
4. CONTRACTORS NOTE: FOR PROJECT AND PURCHASING INFORMATION VISIT www.CADdetails.com/info REFERENCE NUMBER 419-202.



TRIM VARIATIONS

MODEL T-28 - THINLINE