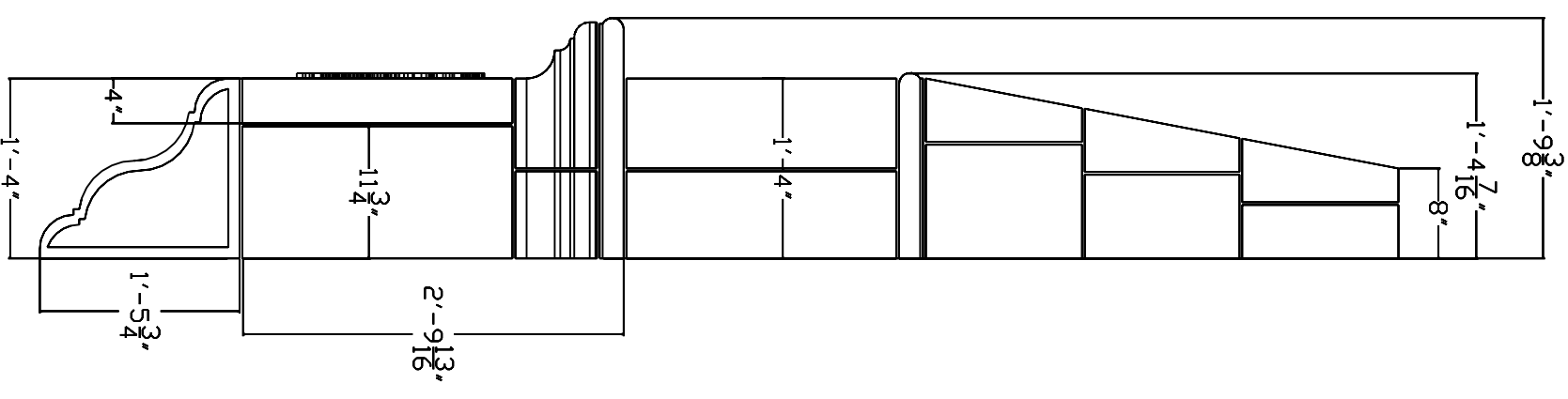
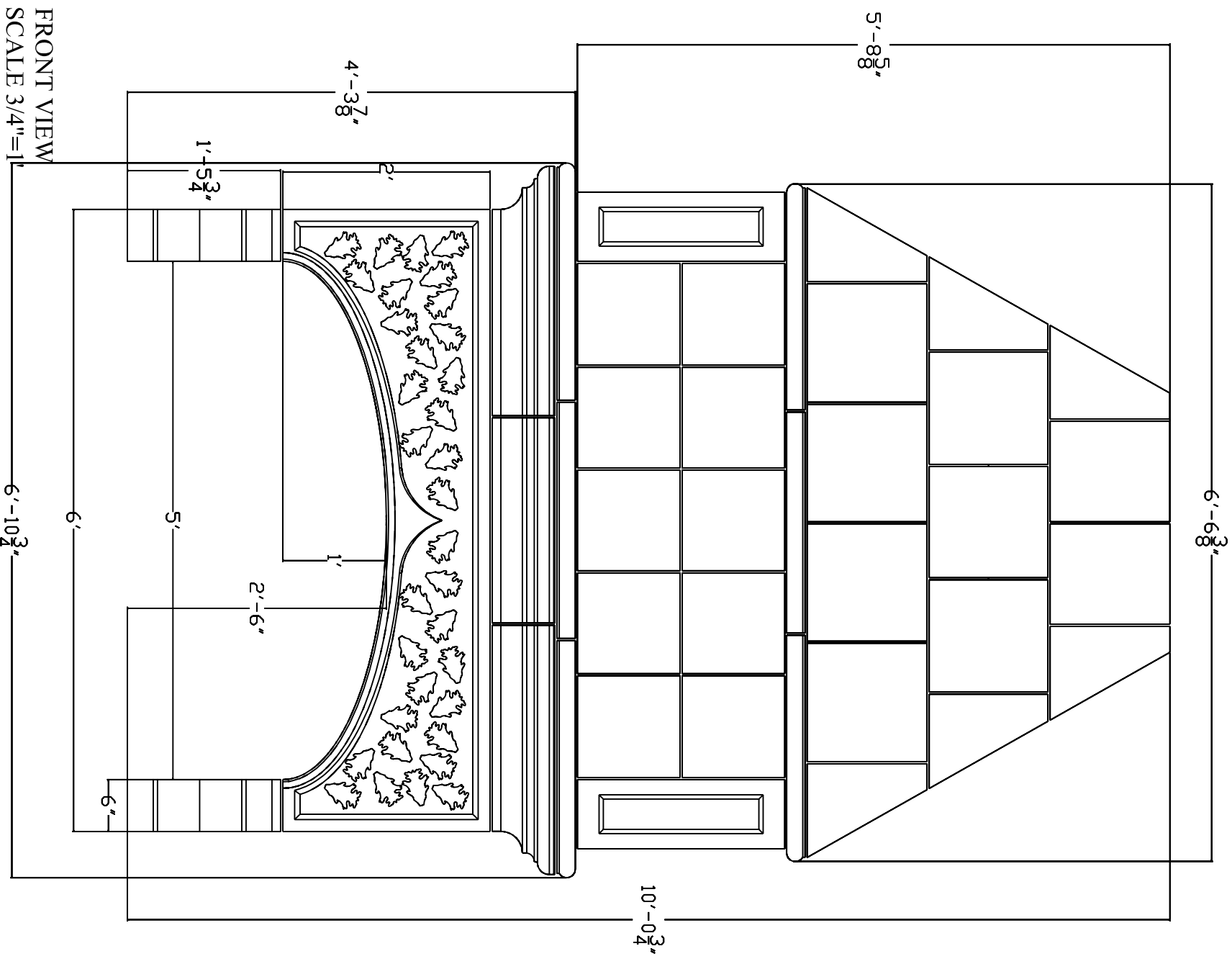


MODEL FINISH DATE: INITIAL: MOLD FINISH DATE: INITIAL:  
 THE INFORMATION CONTAINED IN THIS DRAWING IS THE SOLE PROPERTY OF MILESTONE. ANY REPRODUCTION IN PART OR WHOLE WITHOUT THE WRITTEN PERMISSION OF MILESTONE IS PROHIBITED.

WEIGHT: CU. FT. JOB: CATALOG DWG. NO. SH-1



JOB	LINEAR FEET	CAD GENERATED DRAWING		<b>MILESTONE Design™</b> AMARILLO, TX 79107 888-851-3381 WWW.MILESTONELTD.COM				REVISIONS			
	UNITS	APPROVALS	DATE					REV.	DESCRIPTION	DATE	APPROVED
	PIECE COUNT	DRAWN	3/8/02								
	COLOR	CHECKED		NASHUA OAK							
	FINISH	ENGINEER		SIZE	DWG. NO.	REV.					
	SCALE	APPROVED		B	SH-1	C					
		APPROVED		CAD FILE:		SHEET 1 OF 1					