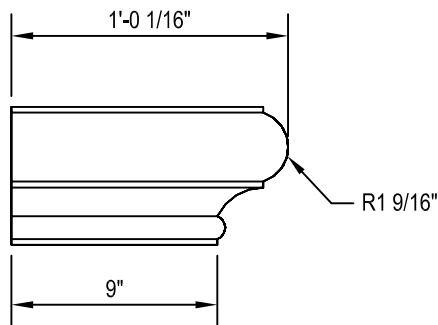
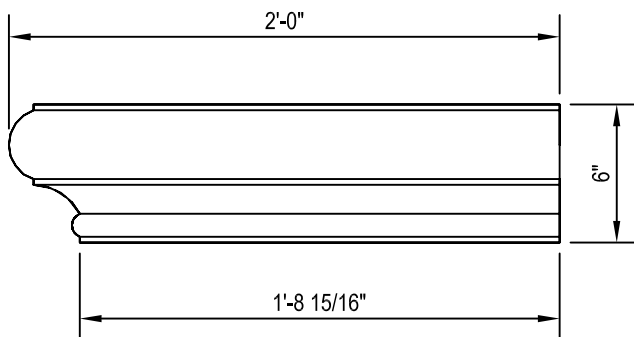


# MILESTONE

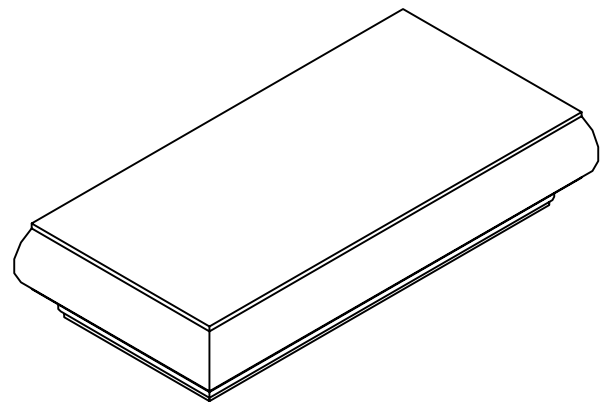
MILESTONE ARCHITECTURAL ORNAMENTATION, INC.  
4225 NE 9TH AVENUE  
AMARILLO, TEXAS 79107  
TOLL FREE: 1-888-851-3381  
PHONE: (806) 381-4030  
FAX: (806) 381-6996  
www.milestoneltd.com



SIDE VIEW



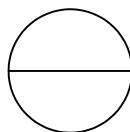
FRONT VIEW



ISOMETRIC VIEW

NOTES:

1. INSTALLATION TO BE COMPLETED IN ACCORDANCE WITH MANUFACTURERS SPECIFICATIONS.
2. DO NOT SCALE DRAWINGS.
3. CONTRACTORS NOTE: FOR PROJECT AND PURCHASING INFORMATION VISIT [www.CADdetails.com/info](http://www.CADdetails.com/info) REFERENCE NUMBER 419-182.



## MANTEL SECTIONS

M-11, LEFT SIDE