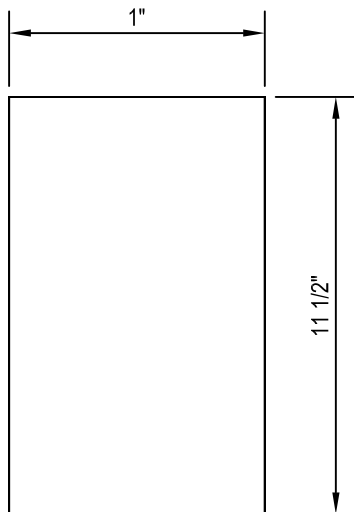
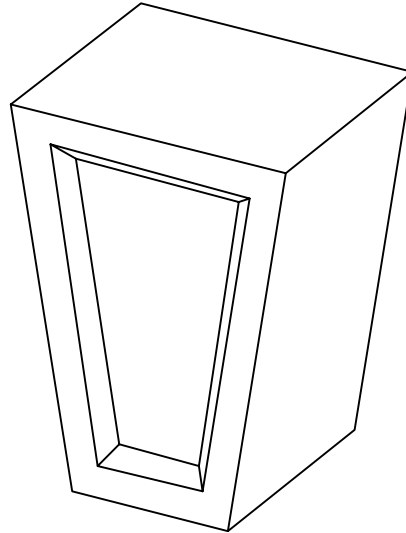


MILESTONE

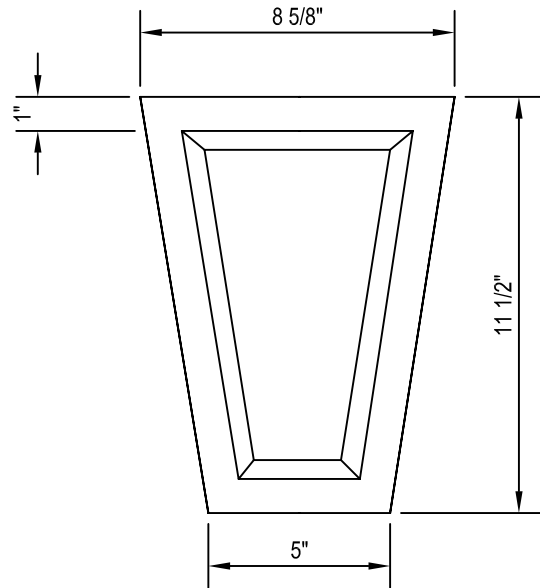
MILESTONE ARCHITECTURAL ORNAMENTATION, INC.
4225 NE 9TH AVENUE
AMARILLO, TEXAS 79107
TOLL FREE: 1-888-851-3381
PHONE: (806) 381-4030
FAX: (806) 381-6996
www.milestoneltd.com

Catalog Number: K-5
Weight: 41lbs
Cuft: .06

ALL JOINTS SHOULD BE
SET TO 1/4"



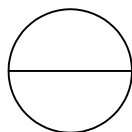
SIDE VIEW



FRONT VIEW

NOTES:

1. INSTALLATION TO BE COMPLETED IN ACCORDANCE WITH MANUFACTURERS SPECIFICATIONS.
2. DO NOT SCALE DRAWINGS.
3. CONTRACTORS NOTE: FOR PROJECT AND PURCHASING INFORMATION VISIT www.CADdetails.com/info REFERENCE NUMBER 419-145.



KEYSTONE

MODEL K11 - LARGE RECESSED KEYSTONE