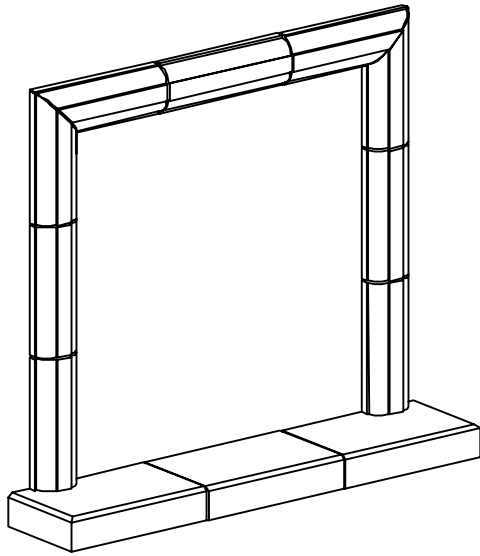


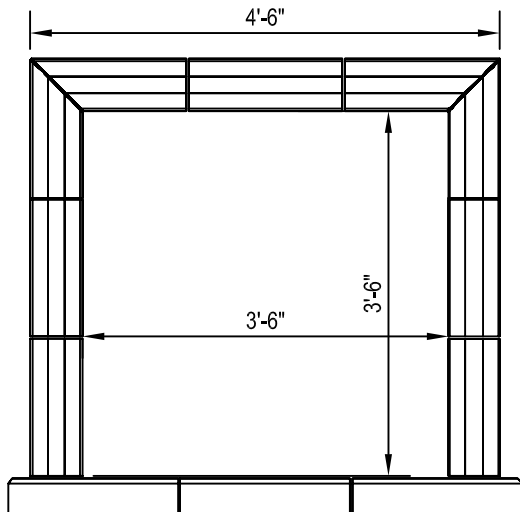
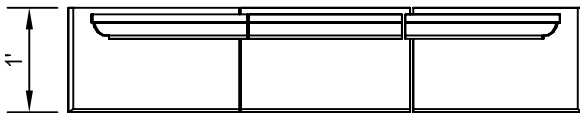
# MILESTONE

MILESTONE ARCHITECTURAL ORNAMENTATION, INC.  
4225 NE 9TH AVENUE  
AMARILLO, TEXAS 79107  
TOLL FREE: 1-888-851-3381  
PHONE: (806) 381-4030  
FAX: (806) 381-6996  
www.milestoneltd.com

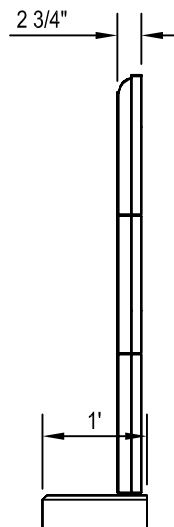


Catalog Number: FS-1  
Weight: 70lbs  
Cuft: 1.06

ALL JOINTS SHOULD BE  
SET TO 1/4"



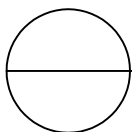
FRONT VIEW



SIDE VIEW

NOTES:

1. INSTALLATION TO BE COMPLETED IN ACCORDANCE WITH MANUFACTURERS SPECIFICATIONS.
2. DO NOT SCALE DRAWINGS.
3. CONTRACTORS NOTE: FOR PROJECT AND PURCHASING INFORMATION VISIT [www.CADdetails.com/info](http://www.CADdetails.com/info) REFERENCE NUMBER 419-124a.



**FIREPLACE**

MODEL FS-1 - CAPRI WITH HEARTH