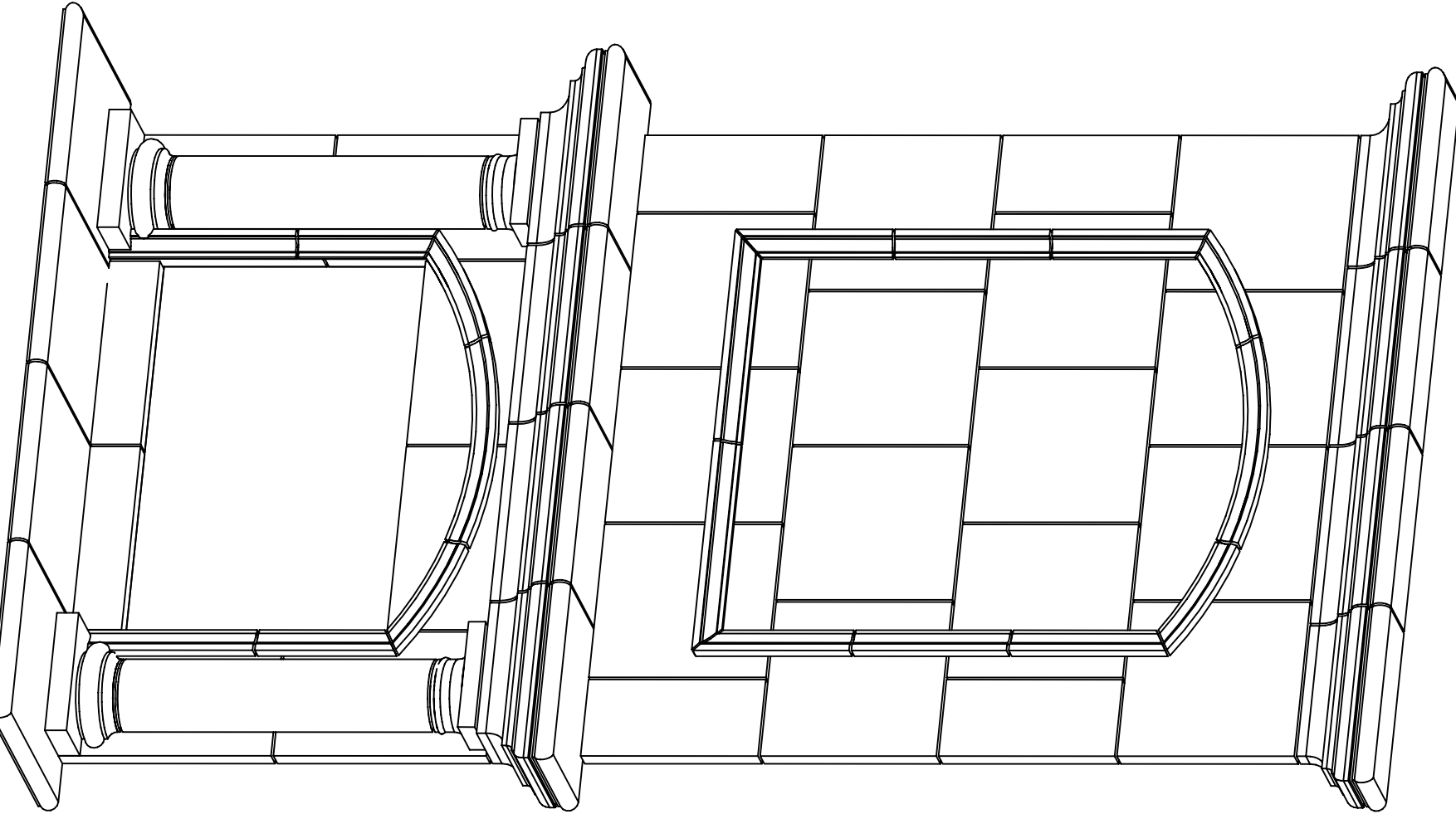
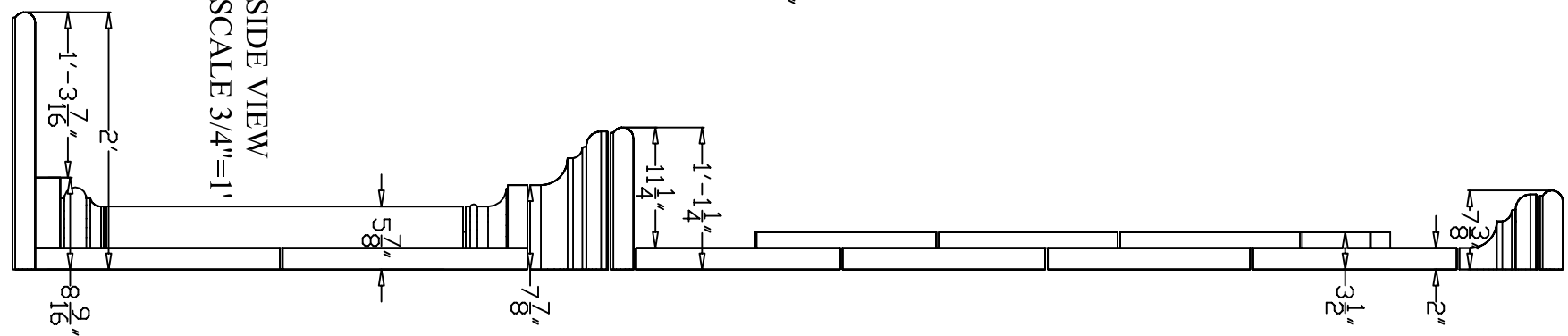
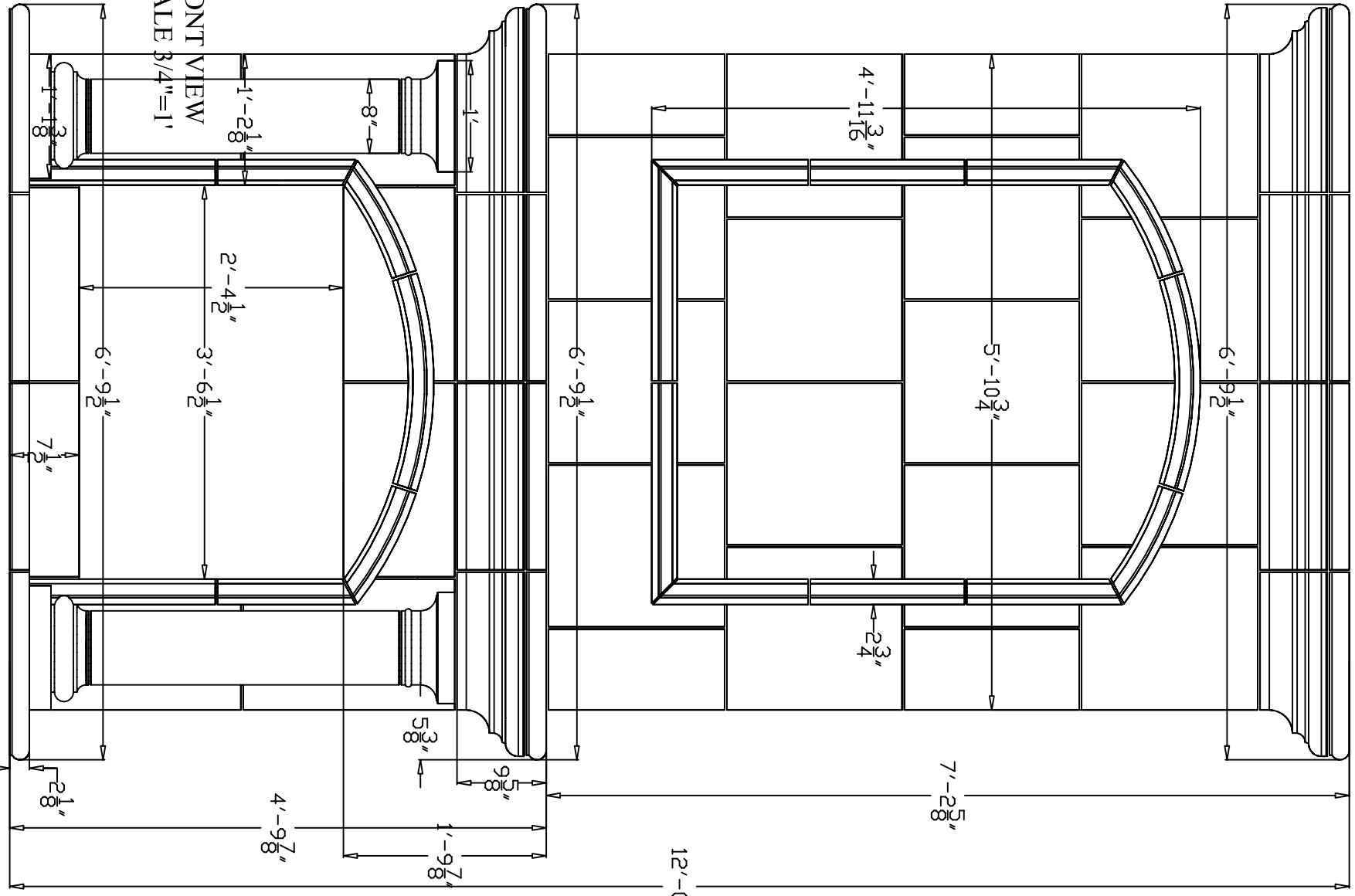


MODEL FINISH DATE: INITIAL: MOLD FINISH DATE: INITIAL:
 THE INFORMATION CONTAINED IN THIS DRAWING IS THE SOLE PROPERTY OF MILESTONE. ANY REPRODUCTION IN PART OR WHOLE WITHOUT THE WRITTEN PERMISSION OF MILESTONE IS PROHIBITED.

WEIGHT: 1216LBS CU. FT. 18.52 JOB: NOCK DWG. NO. F-43



LINEAR FEET	CAD GENERATED DRAWING	
UNITS	APPROVALS	DATE
PIECE COUNT	DRAWN Robert J.	3/8/02
COLOR	CHECKED	
FINISH	ENGINEER	
SCALE	APPROVED	
	APPROVED	

MILESTONE Design™
 AMARILLO, TX 79107
 888-851-3381 WWW.MILESTONELTD.COM

MORNEY FIREPLACE

SIZE DWG. NO. REV.
 B F-43

CAD FILE: SHEET 1 OF 1

REVISIONS			
REV.	DESCRIPTION	DATE	APPROVED

Milestone hereby disclaims all liability for, and is not responsible or liable for, any damages or costs that may result from improper installation or use of its products.