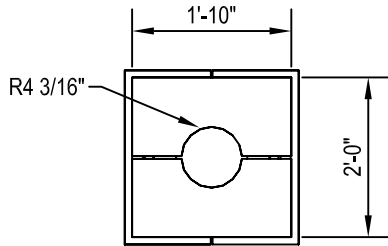


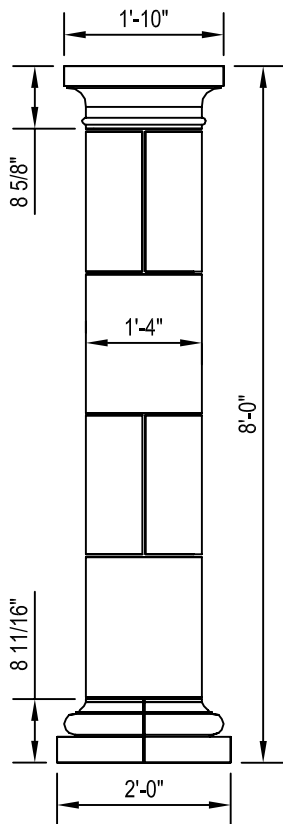
MILESTONE

MILESTONE ARCHITECTURAL ORNAMENTATION, INC.
4225 NE 9TH AVENUE
AMARILLO, TEXAS 79107
TOLL FREE: 1-888-851-3381
PHONE: (806) 381-4030
FAX: (806) 381-6996
www.milestoneltd.com



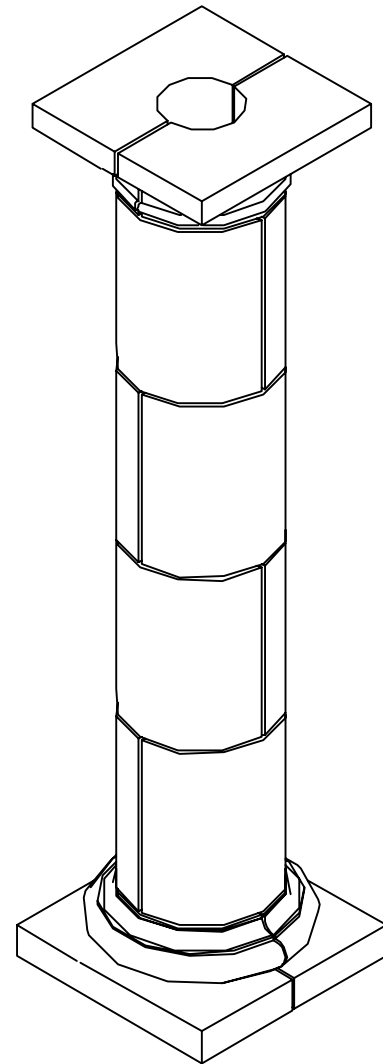
TOP VIEW

NOTE: ALL JOINTS
SHOULD BE SET AT 3/8"



FRONT VIEW

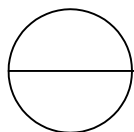
SPECIFICATION SHEET
CATALOG NUMBER: COL-24
16" STRAIGHT 8'HT COLUMN
WEIGHT: 541LBS
CUFT: 8.24
WEIGHTS AND CUFT ARE AT
SHOWN HEIGHT



ISOMETRIC VIEW

NOTES:

1. INSTALLATION TO BE COMPLETED IN ACCORDANCE WITH MANUFACTURERS SPECIFICATIONS.
2. DO NOT SCALE DRAWINGS.
3. CONTRACTORS NOTE: FOR PROJECT AND PURCHASING INFORMATION VISIT www.CADdetails.com/info REFERENCE NUMBER 419-174.



COLUMN

MODEL COL-24, 16 INCH DIAMETER