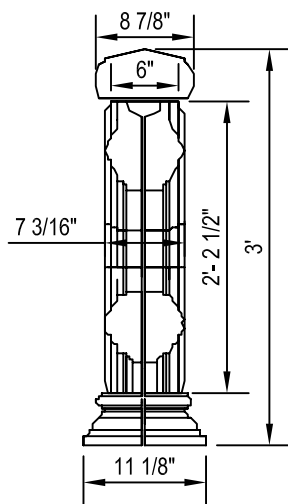
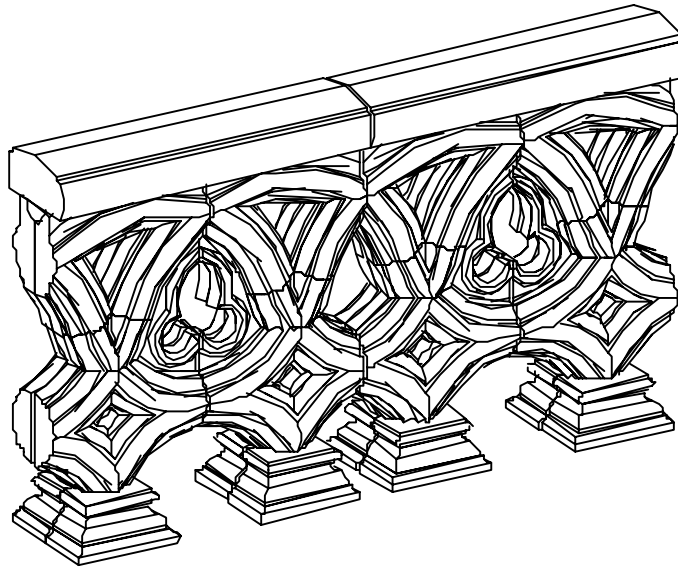
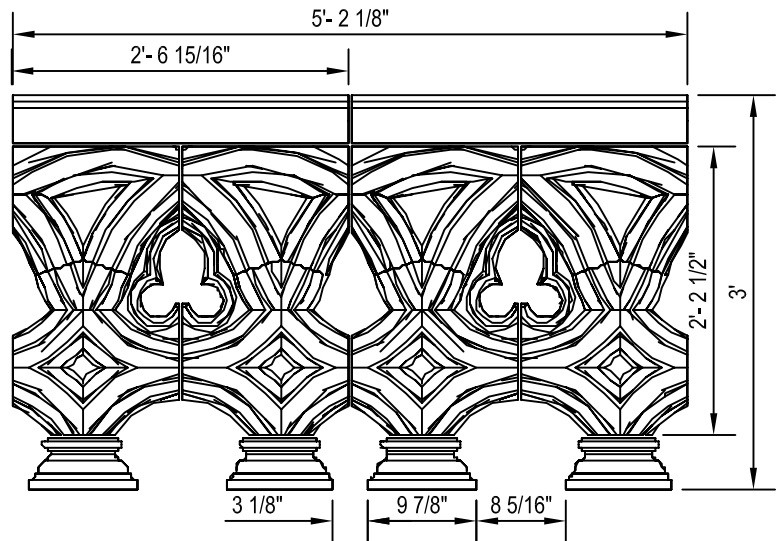


MILESTONE

MILESTONE ARCHITECTURAL ORNAMENTATION, INC.
4225 NE 9TH AVENUE
AMARILLO, TEXAS 79107
TOLL FREE: 1-888-851-3381
PHONE: (806) 381-4030
FAX: (806) 381-6996
www.milestoneltd.com



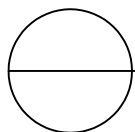
SIDE VIEW



FRONT VIEW

NOTES:

1. INSTALLATION TO BE COMPLETED IN ACCORDANCE WITH MANUFACTURERS SPECIFICATIONS.
2. DO NOT SCALE DRAWINGS.
3. ALL JOINTS SHOULD BE SET TO 1/4".
4. CONTRACTORS NOTE: FOR PROJECT AND PURCHASING INFORMATION VISIT www.CADdetails.com/info REFERENCE NUMBER 419-165.



SCREEN

MODEL A15 - VENETIAN