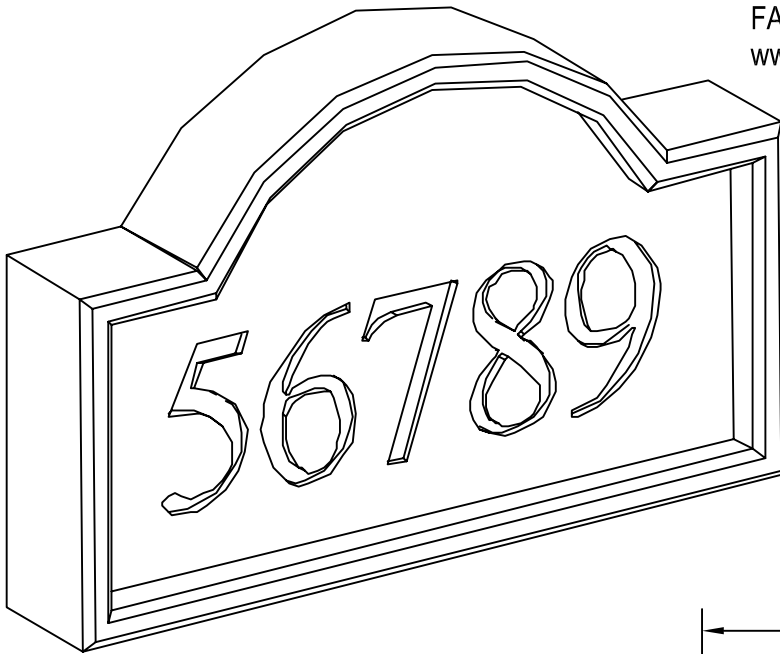


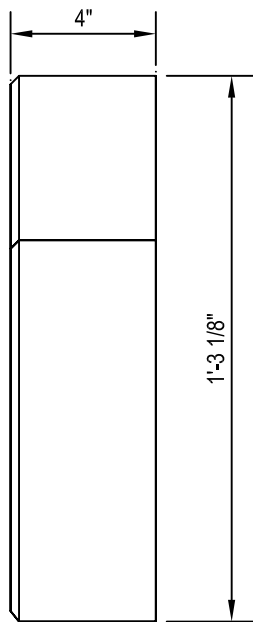
MILESTONE

MILESTONE ARCHITECTURAL ORNAMENTATION, INC.
4225 NE 9TH AVENUE
AMARILLO, TEXAS 79107
TOLL FREE: 1-888-851-3381
PHONE: (806) 381-4030
FAX: (806) 381-6996
www.milestoneltd.com

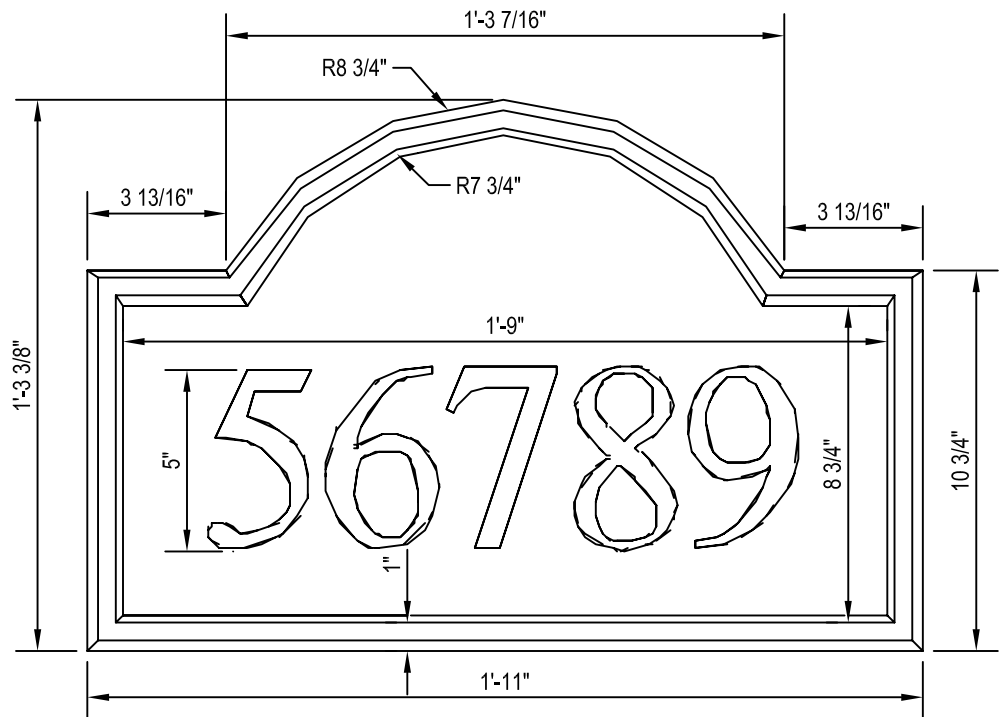


Catalog Number: AE-80
Weight: 34lbs
Cuft: .51

ALL JOINTS SHOULD BE
SET TO 1/4"



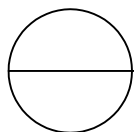
SIDE VIEW



FRONT VIEW

NOTES:

1. INSTALLATION TO BE COMPLETED IN ACCORDANCE WITH MANUFACTURERS SPECIFICATIONS.
2. DO NOT SCALE DRAWINGS.
3. CONTRACTORS NOTE: FOR PROJECT AND PURCHASING INFORMATION VISIT www.CADdetails.com/info REFERENCE NUMBER 419-136.



NUMBER PLATE

MODEL AE84 - ROUND ADDRESS PLATE